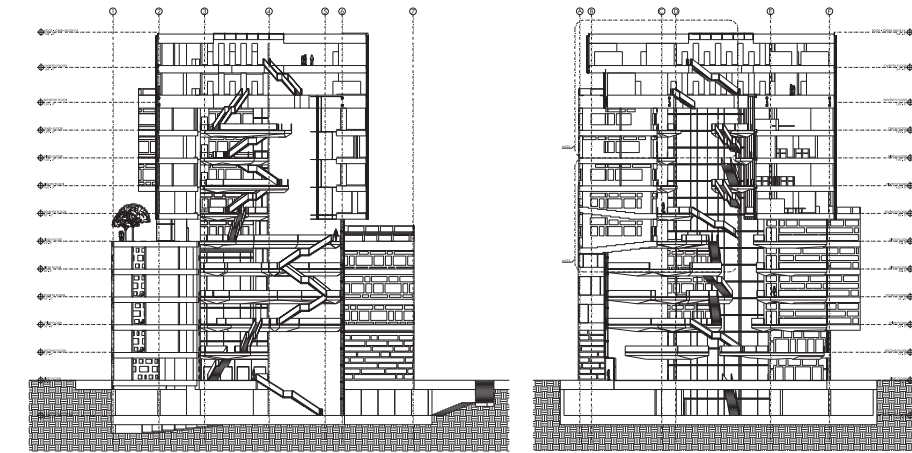


# THE JOHN AND FRANCES ANGELOS LAW CENTER

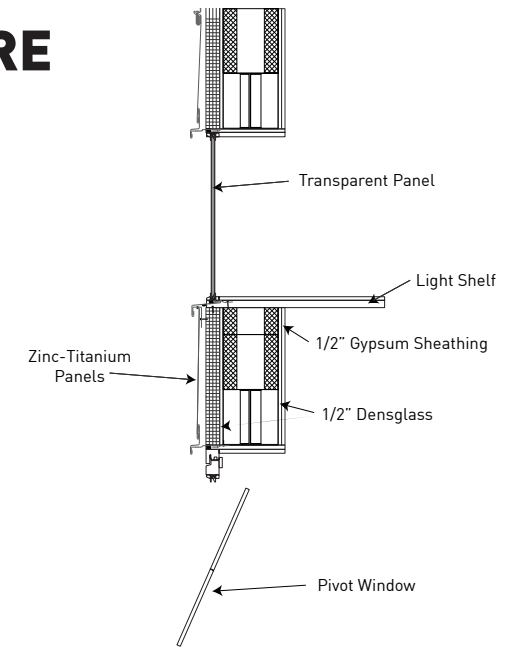
# AT THE UNIVERSITY OF BALTIMORE



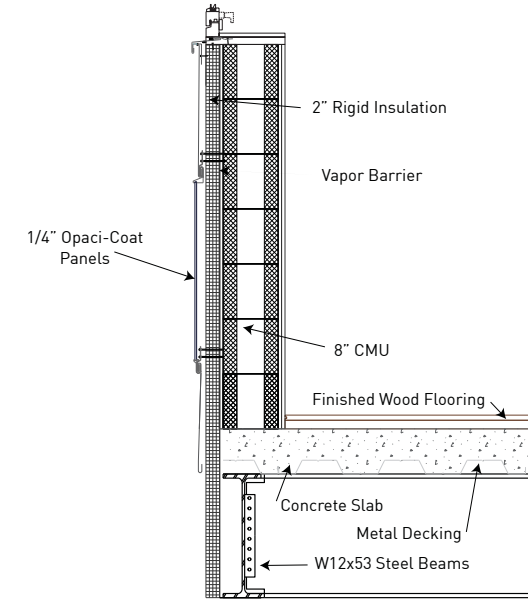
Interior Rendering - Atrium Space



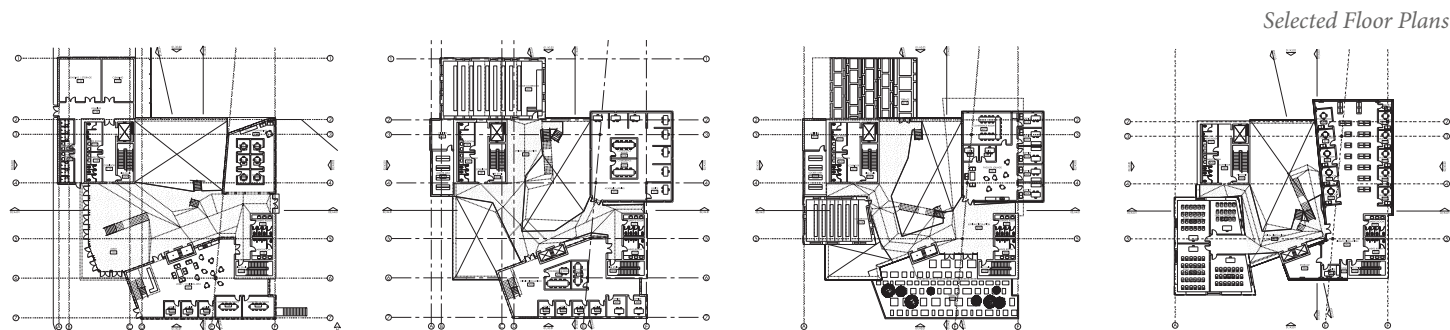
North-South & East-West Sections



Exterior Rendering - Main Entrance



Wall Section Detail



Selected Floor Plans