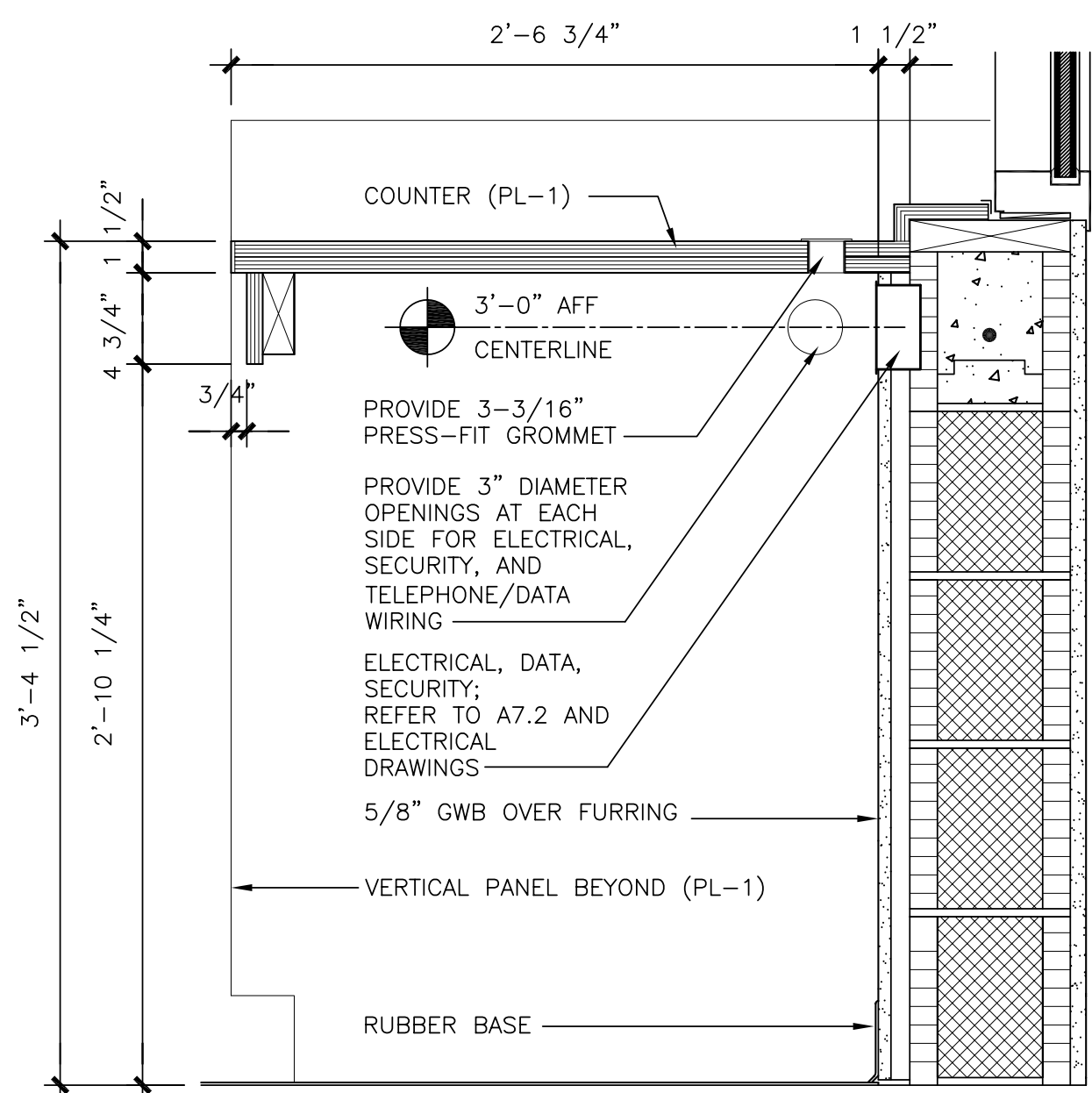
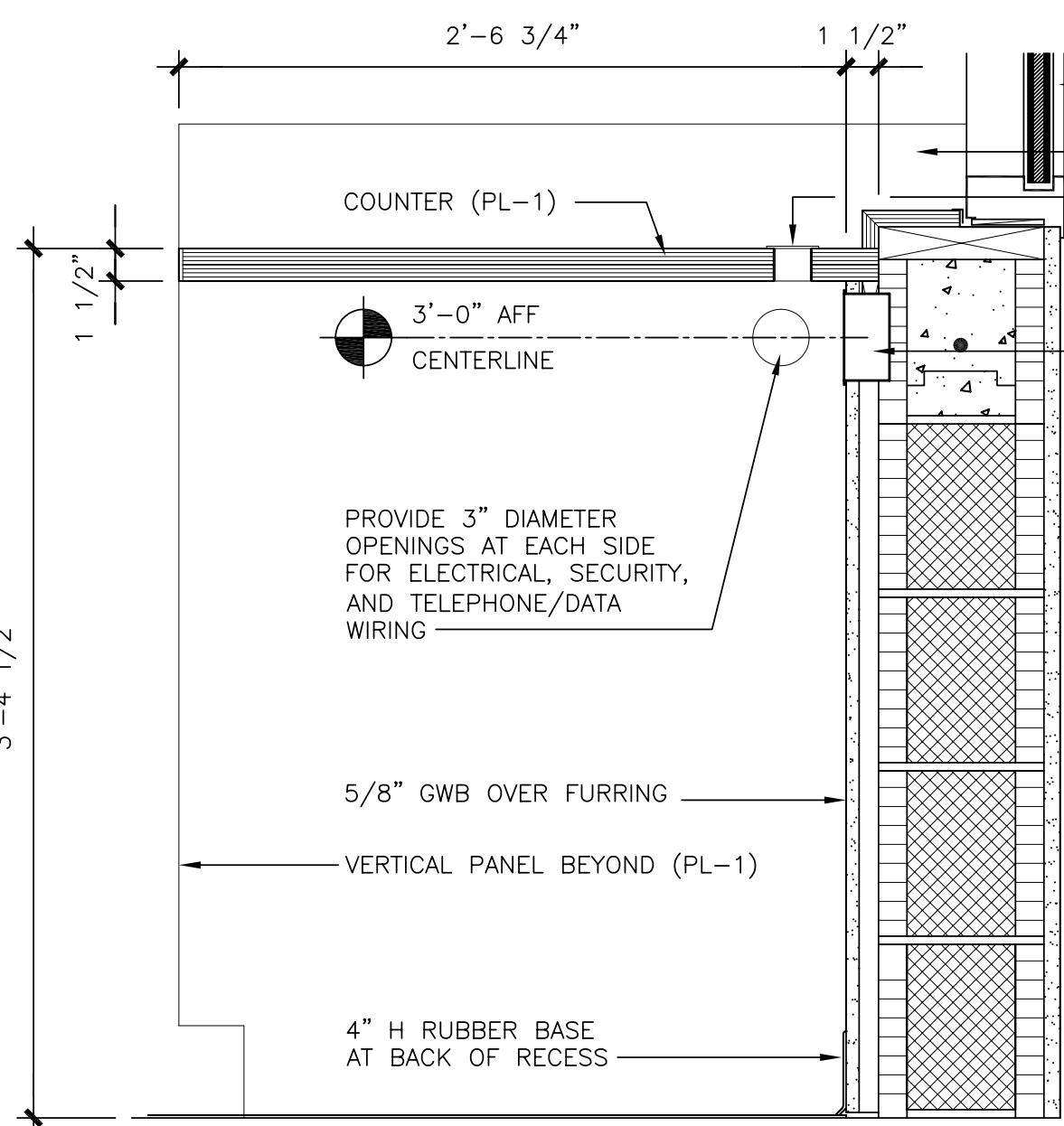


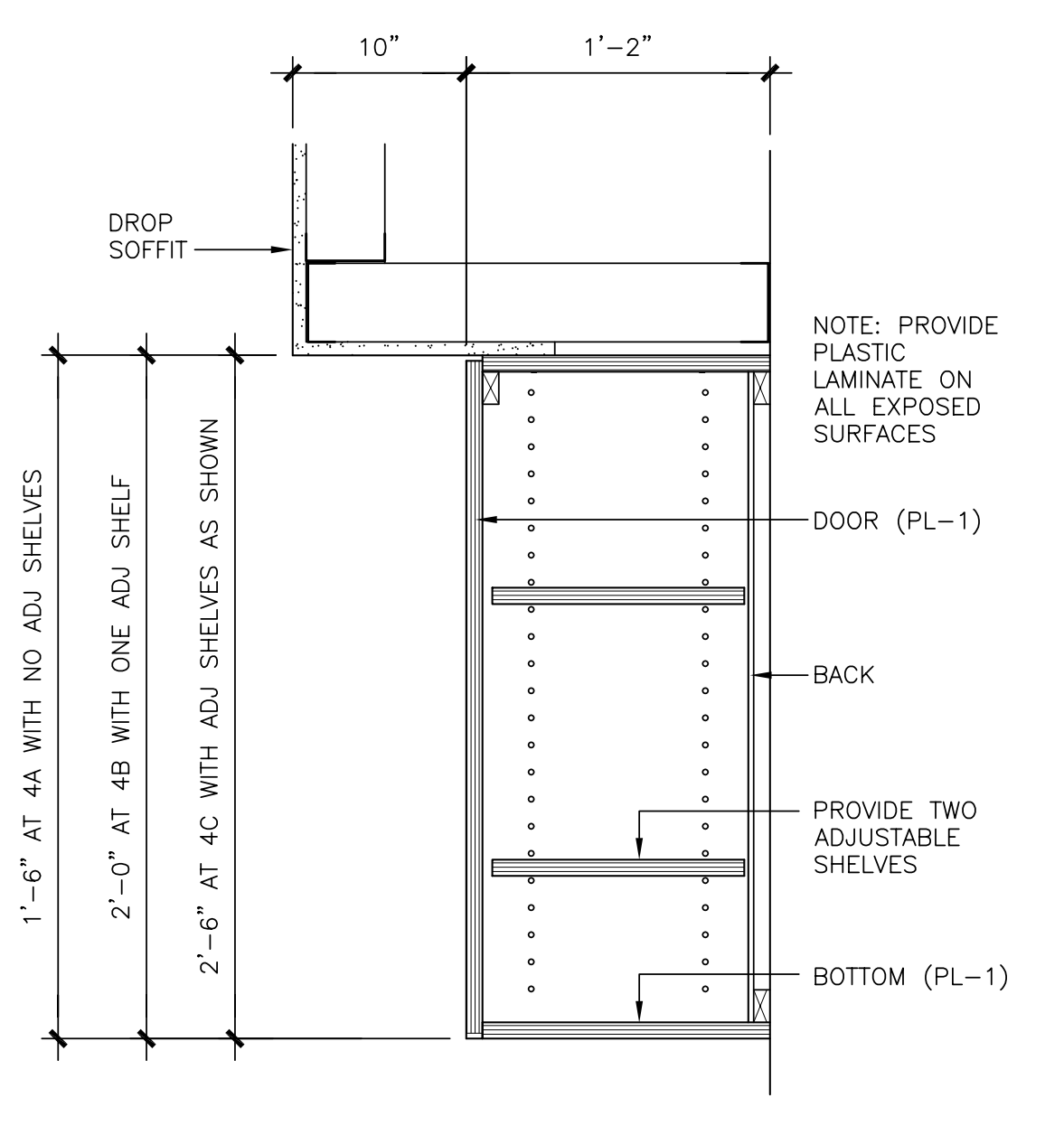
1 EQUIPMENT RECESS CASH DISPENSING MACHINE
 SCALE: 1-1/2" = 1'-0"



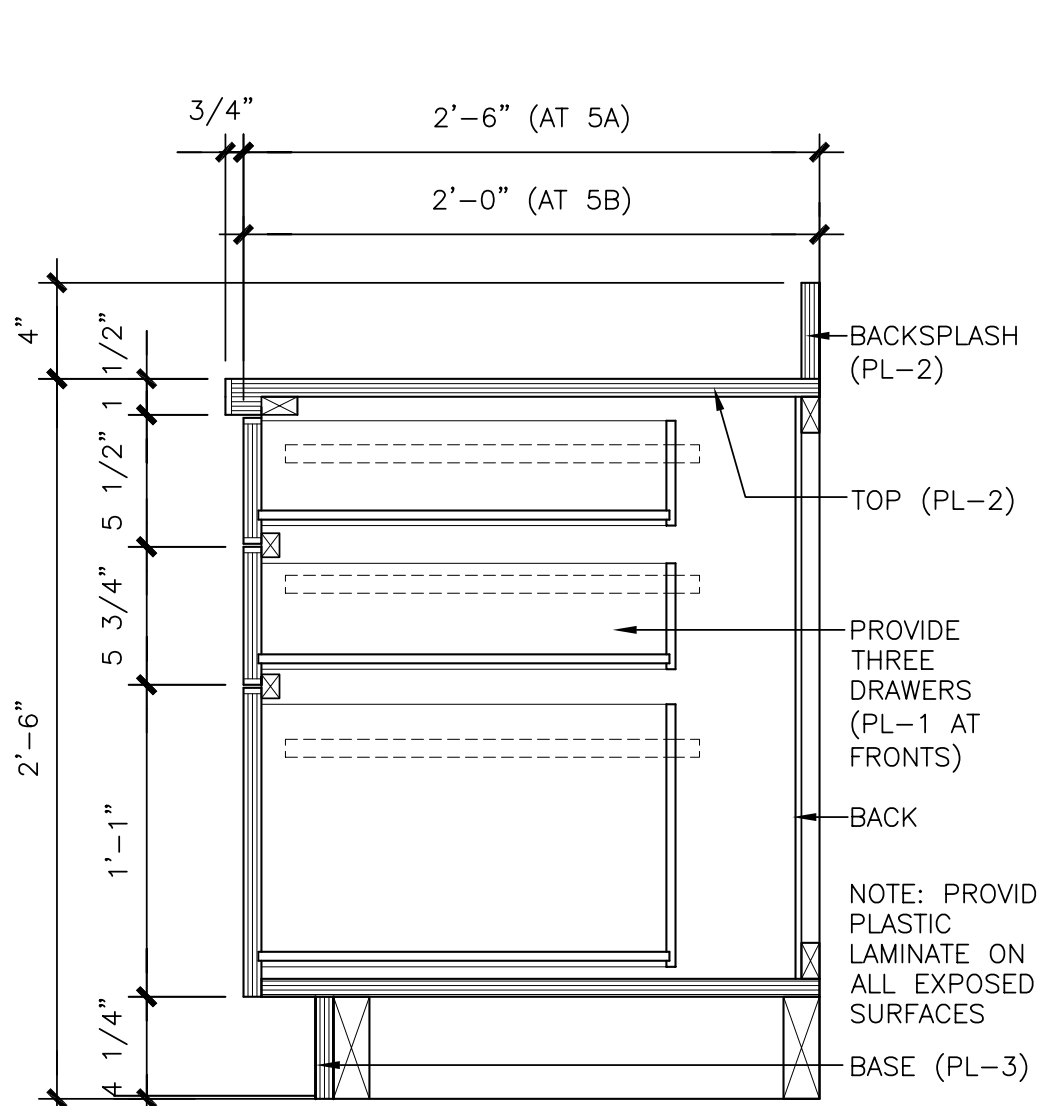
2 DRIVE THRU TELLER CABINET
 SCALE: 1-1/2" = 1'-0"



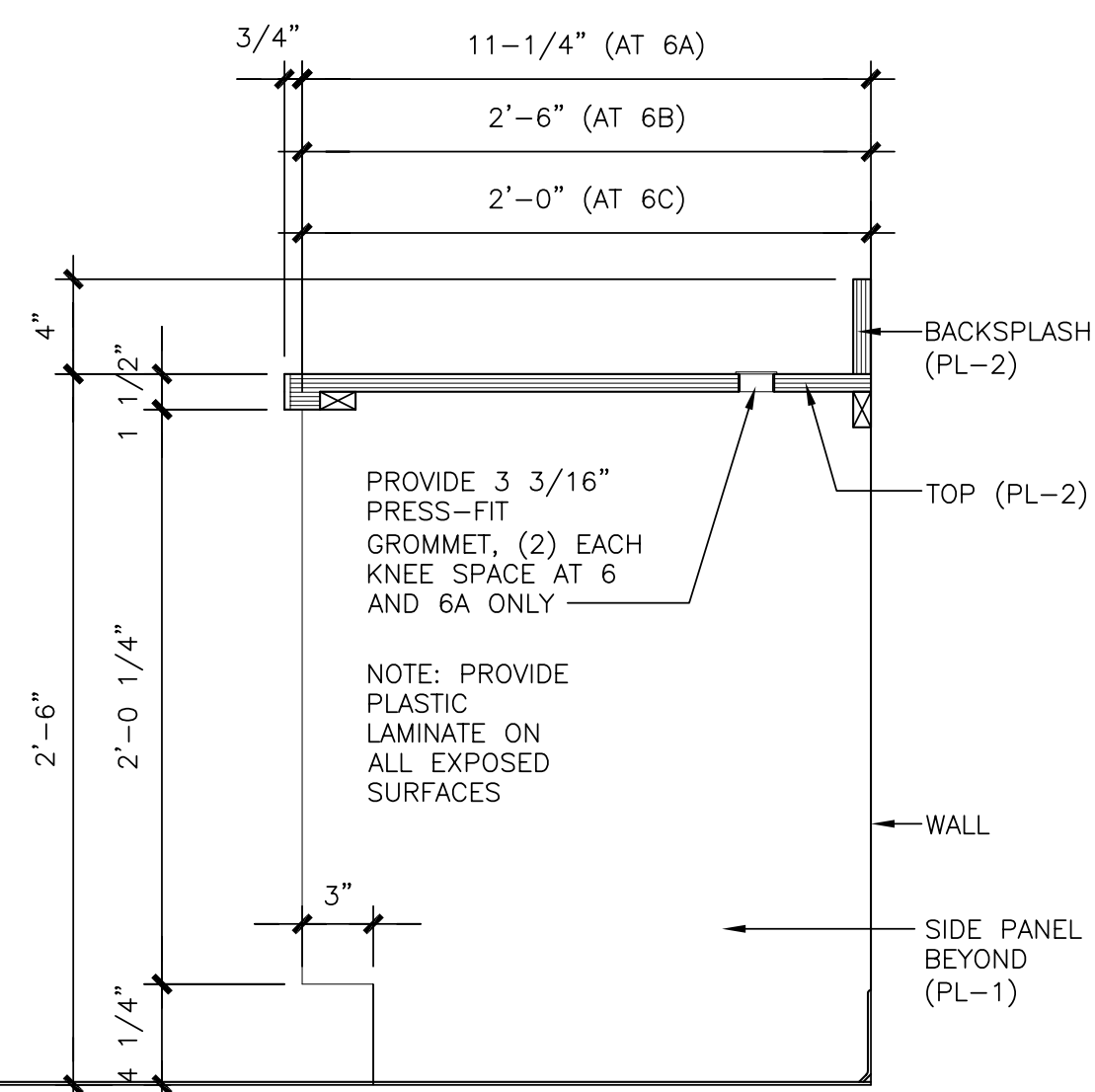
3 DRIVE THRU TELLER CABINET
 SCALE: 1-1/2" = 1'-0"



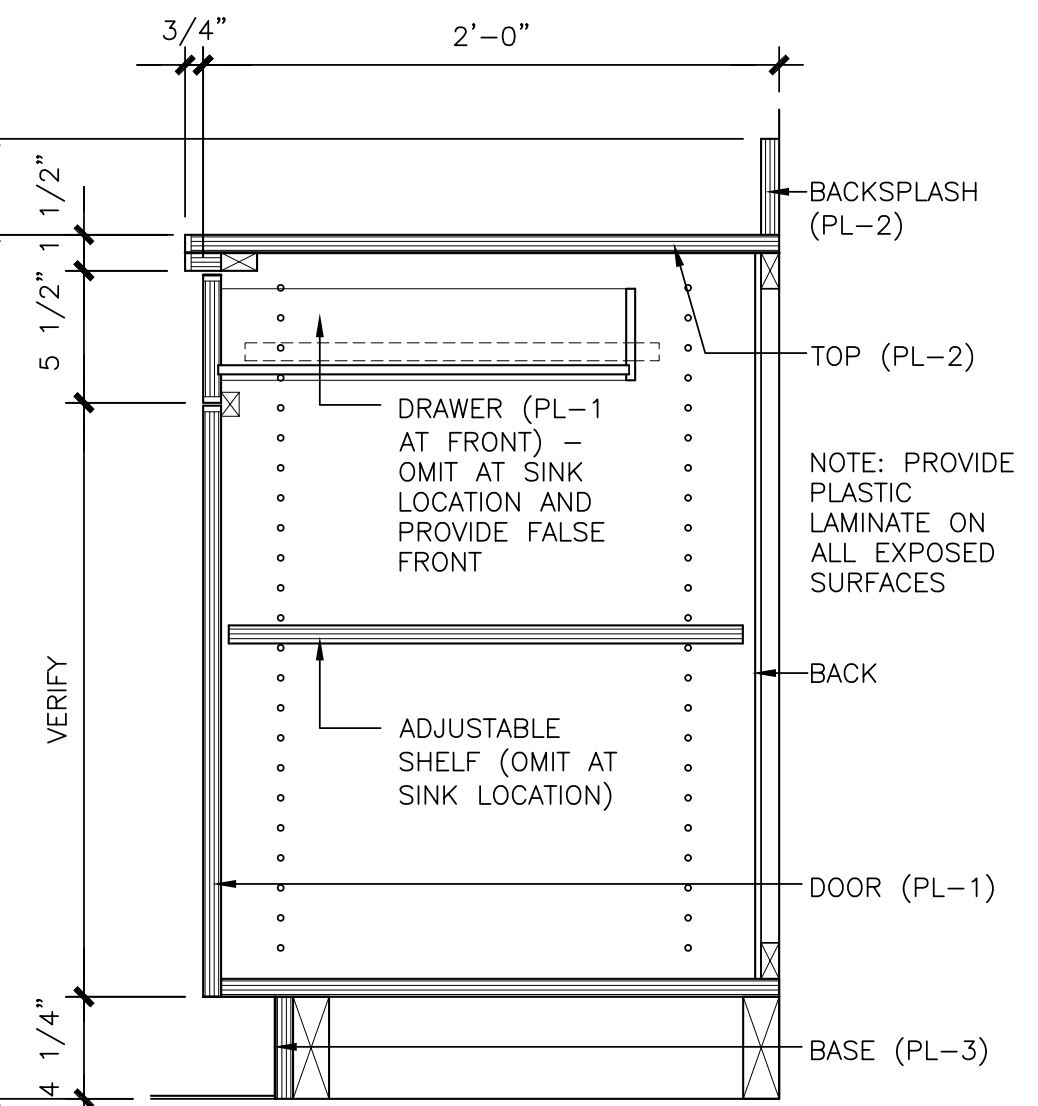
4A 4B 4C WALL CABINET
 SCALE: 1-1/2" = 1'-0"



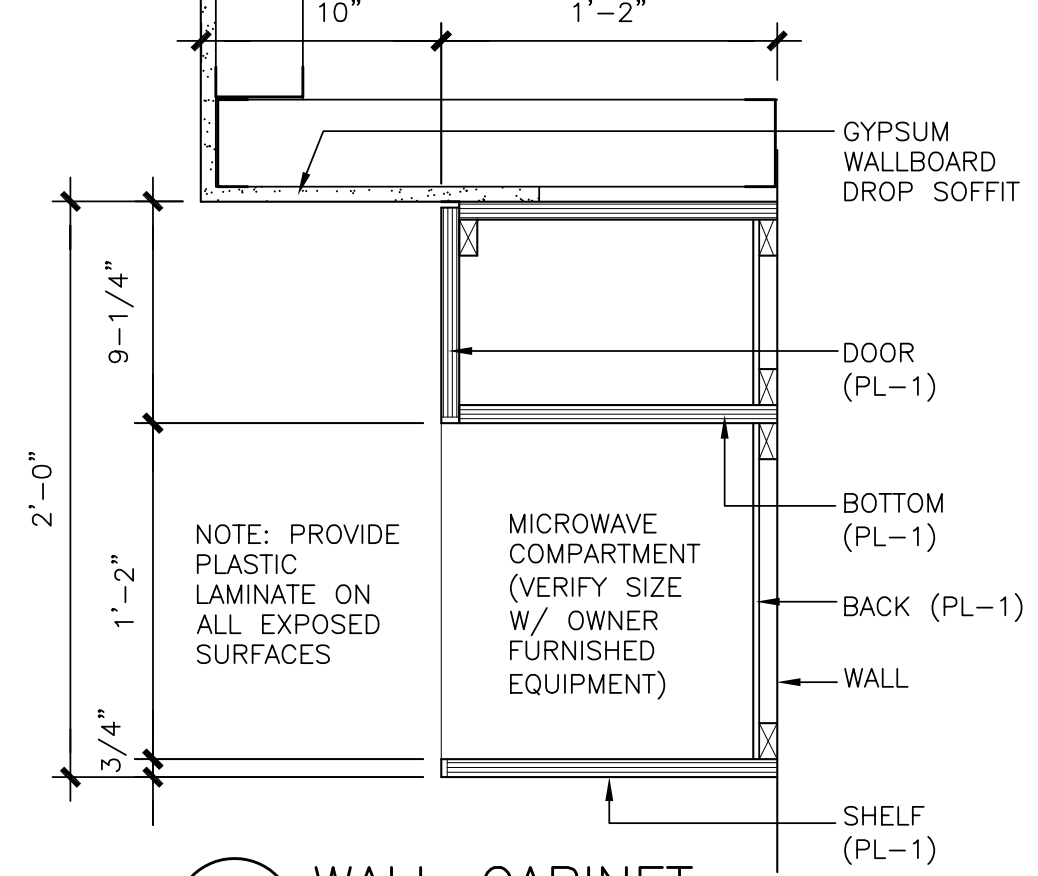
5A 5B BASE CABINET
 SCALE: 1-1/2" = 1'-0"



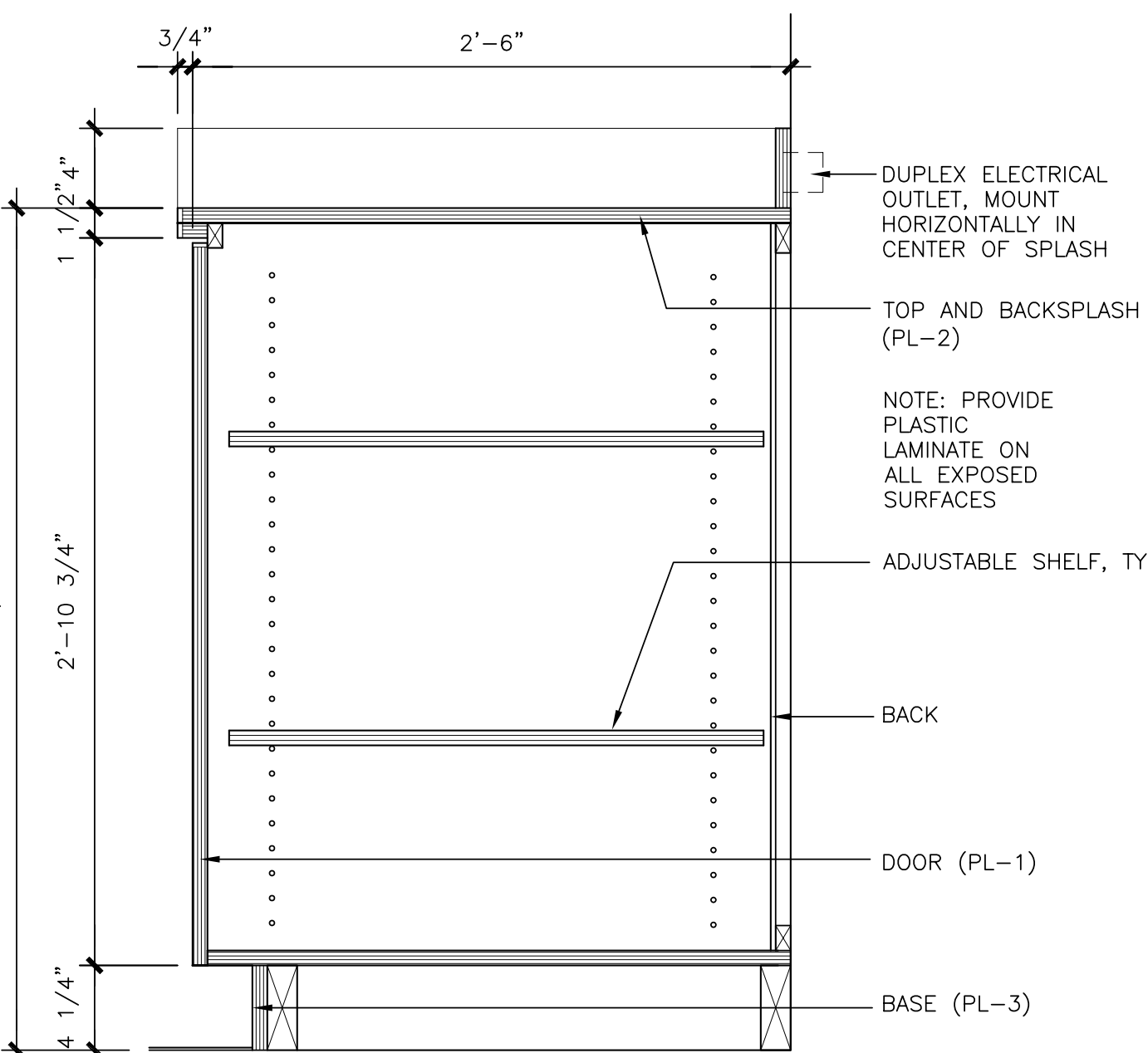
6A 6B 6C COUNTERTOP
 NOT TO SCALE



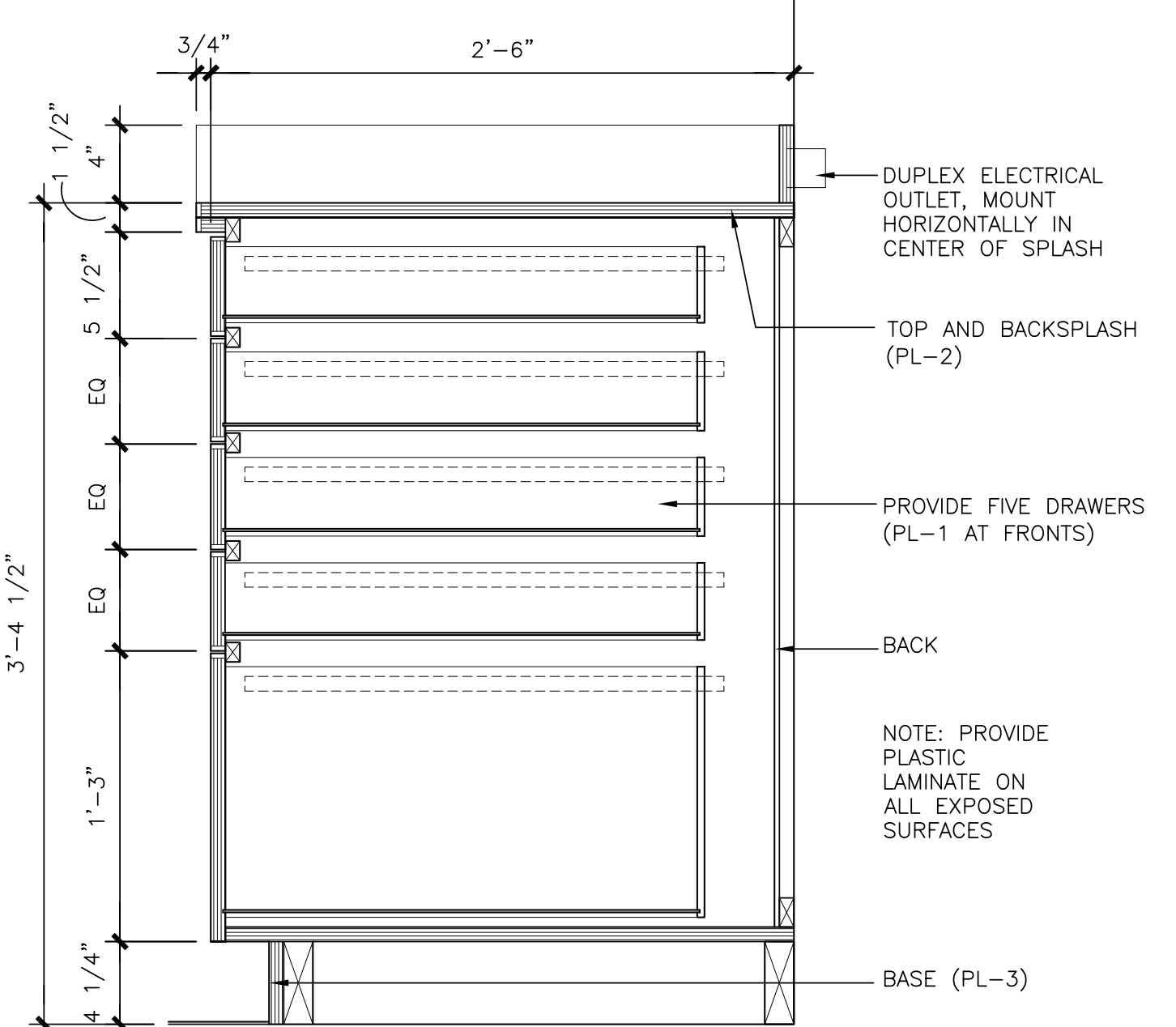
7 BASE CABINET W/DRAWER
 SCALE: 1-1/2" = 1'-0"



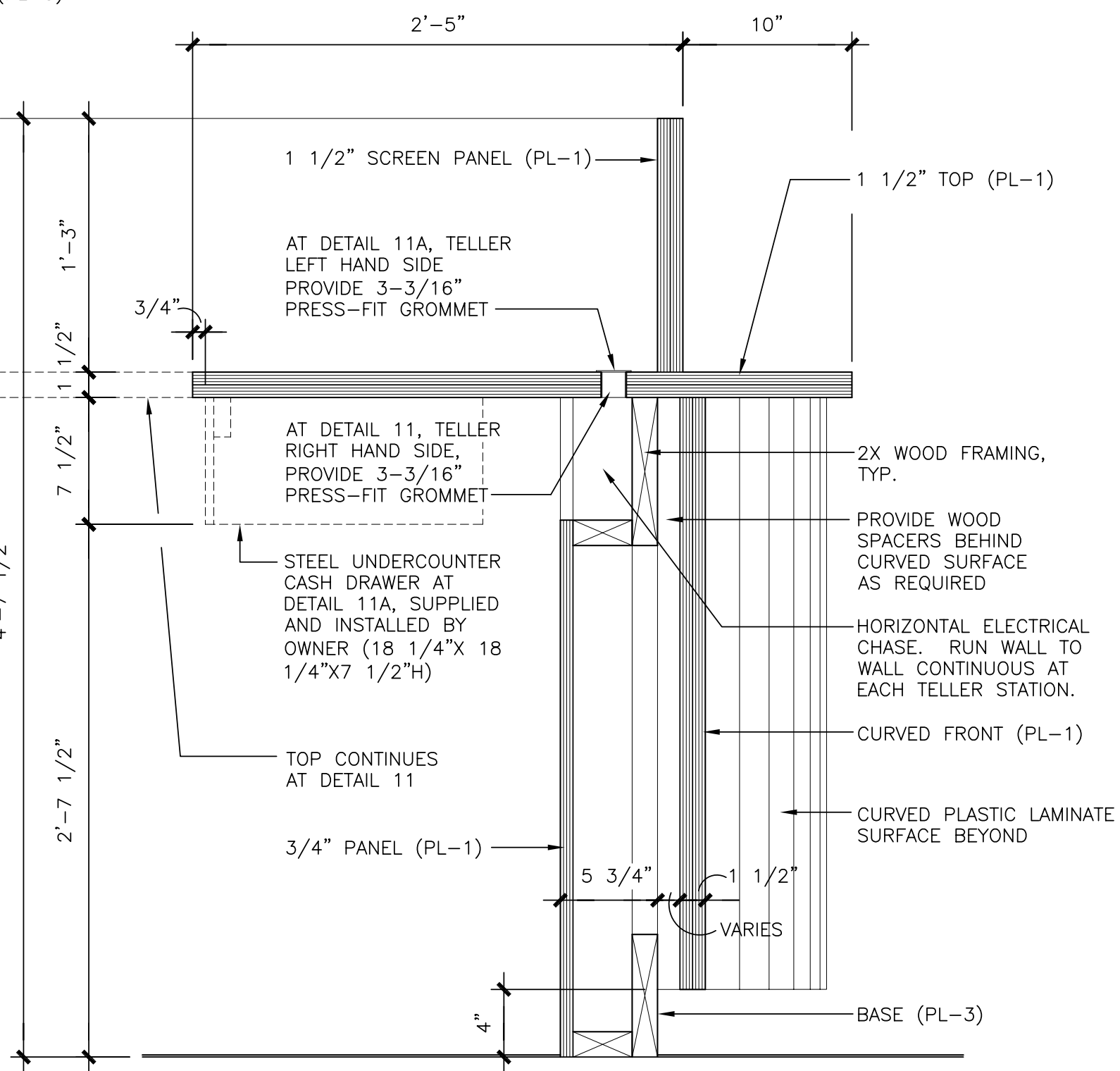
8 WALL CABINET
 NOT TO SCALE



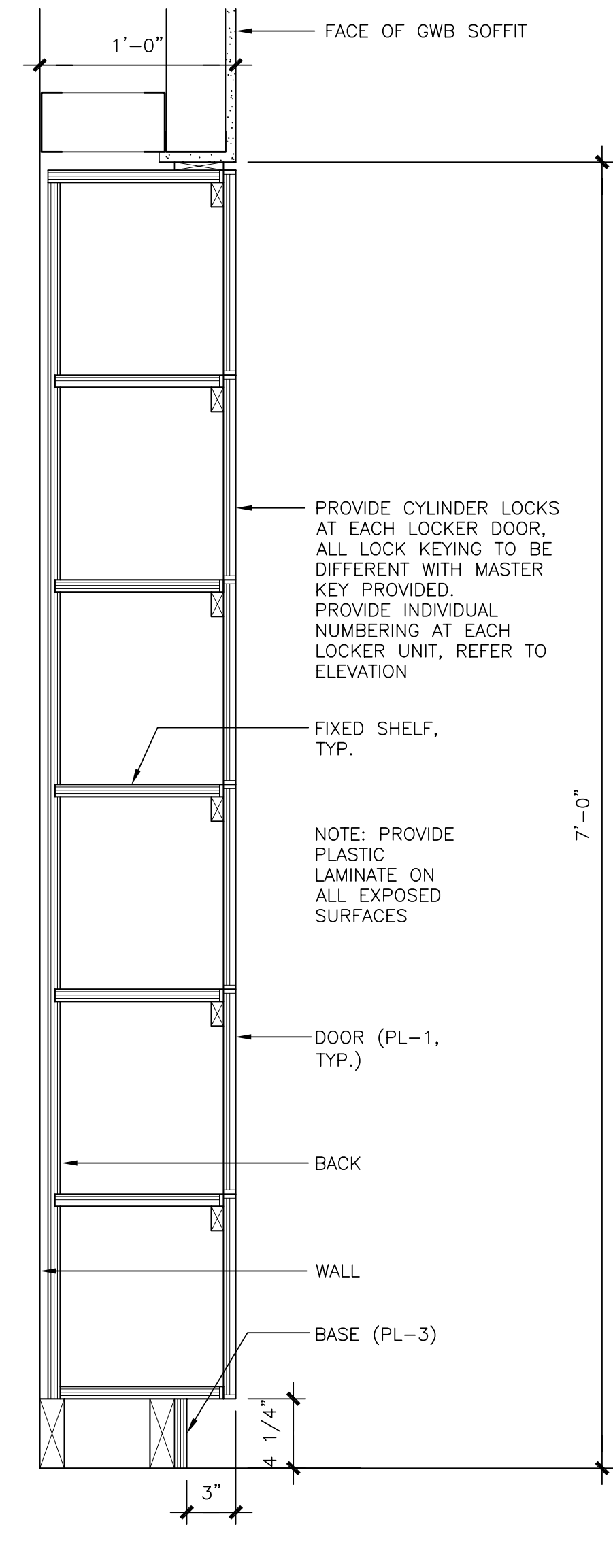
9 BASE CABINET
 SCALE: 1-1/2" = 1'-0"



10 BASE CABINET
 SCALE: 1-1/2" = 1'-0"



11 11A TELLER LINE
 NOT TO SCALE



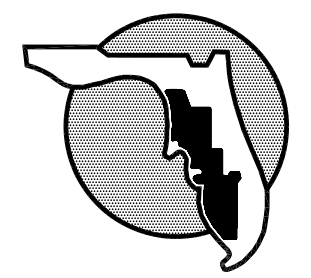
12 LOCKERS
 SCALE: 1 1/2" = 1'-0"

ARCHITECT
 HOLMES HEPPNER & ASSOCIATES ARCHITECTS
 109 NORTH BRUSH STREET, SUITE 100
 TAMPA, FLORIDA 33602
 813-229-0814
 REG. NO. AA 0002617

CIVIL ENGINEER AND LANDSCAPE
 TOM CONSULTING, INC.
 8695 COLLEGE PARKWAY, SUITE 106
 FORT MYERS, FLORIDA 33919
 239-433-4231
 REG. NO. P0300072719

STRUCTURAL ENGINEER
 CATALANO ENGINEERING, INC.
 120 SOUTH EDSON AVE.
 TAMPA, FLORIDA 33606
 813-254-1285
 REG. NO. 6828

MECHANICAL, ELECTRICAL, & PLUMBING ENGINEER
 ANISTON-GREENLEES, INC.
 1315 WEST FLETCHER AVE.
 TAMPA, FLORIDA 33612
 813-963-1919
 REG. NO. 6993



SUNCOAST SCHOOLS FEDERAL CREDIT UNION
 CAPE CORAL MEMBER SERVICE CENTER

PROJECT NO. 2856
 DISTRIBUTION DATE
 CONSTRUCTION DOCUMENTS 07/11/2007

DETAILS

A8.1