

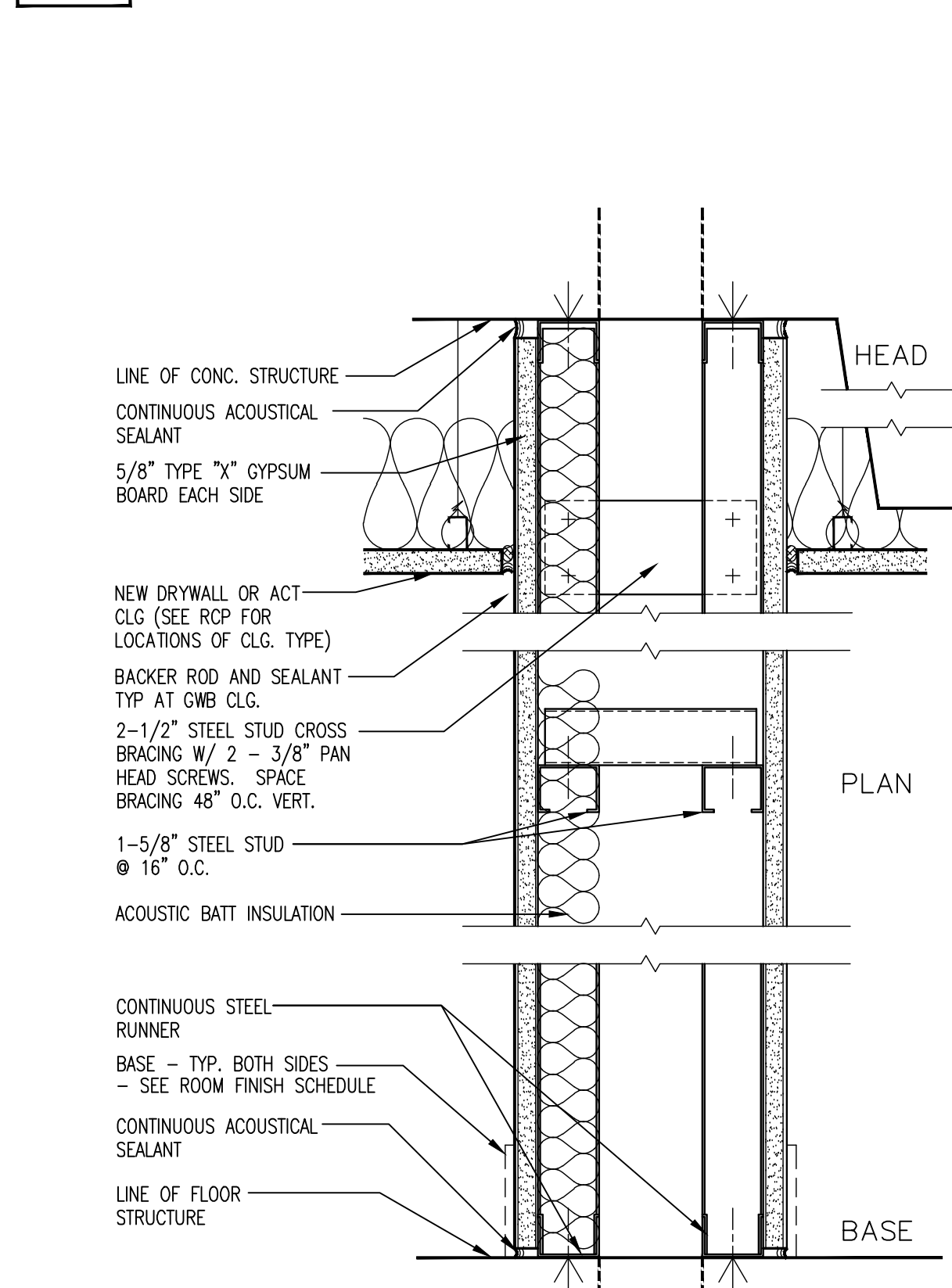
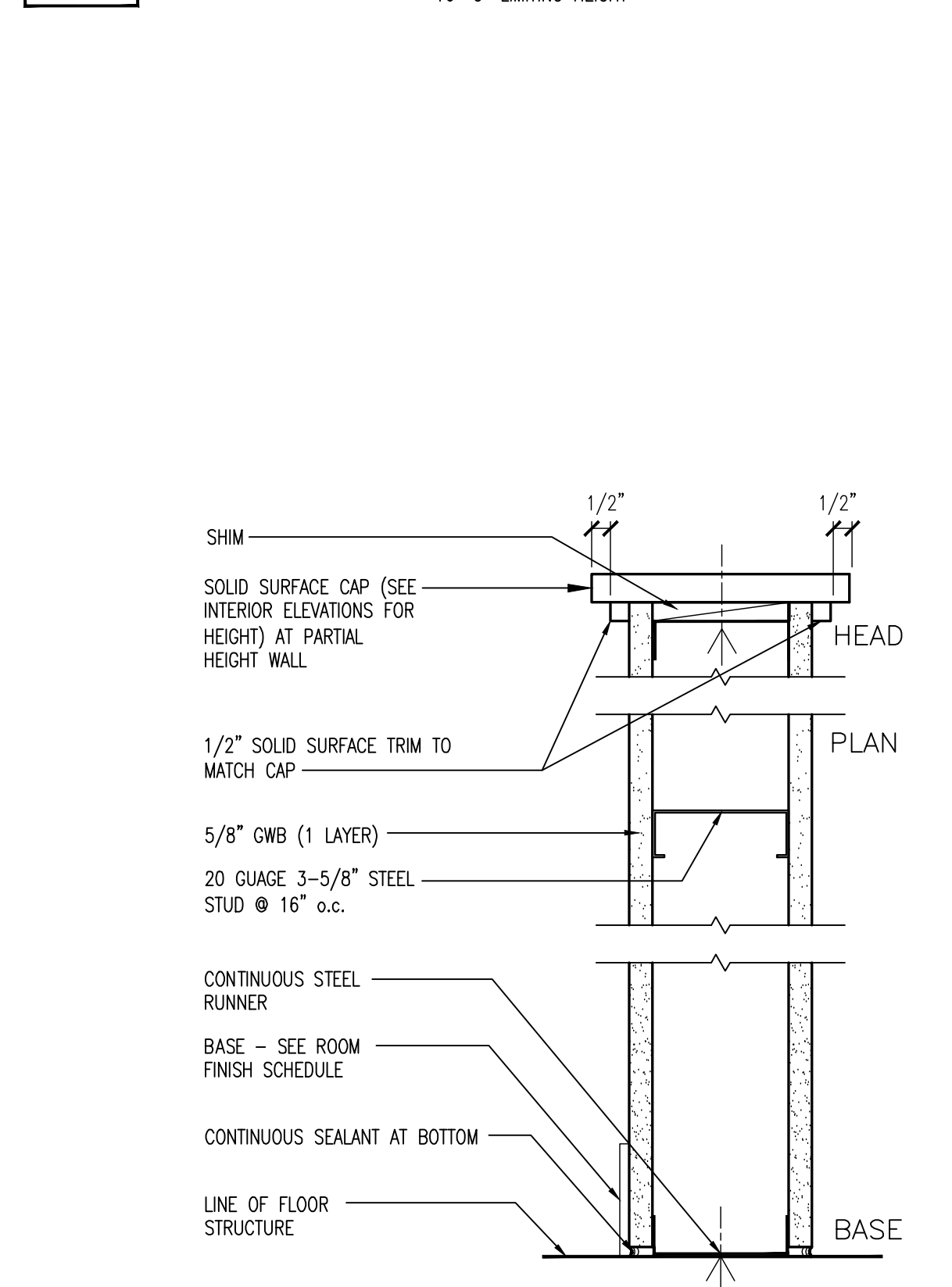
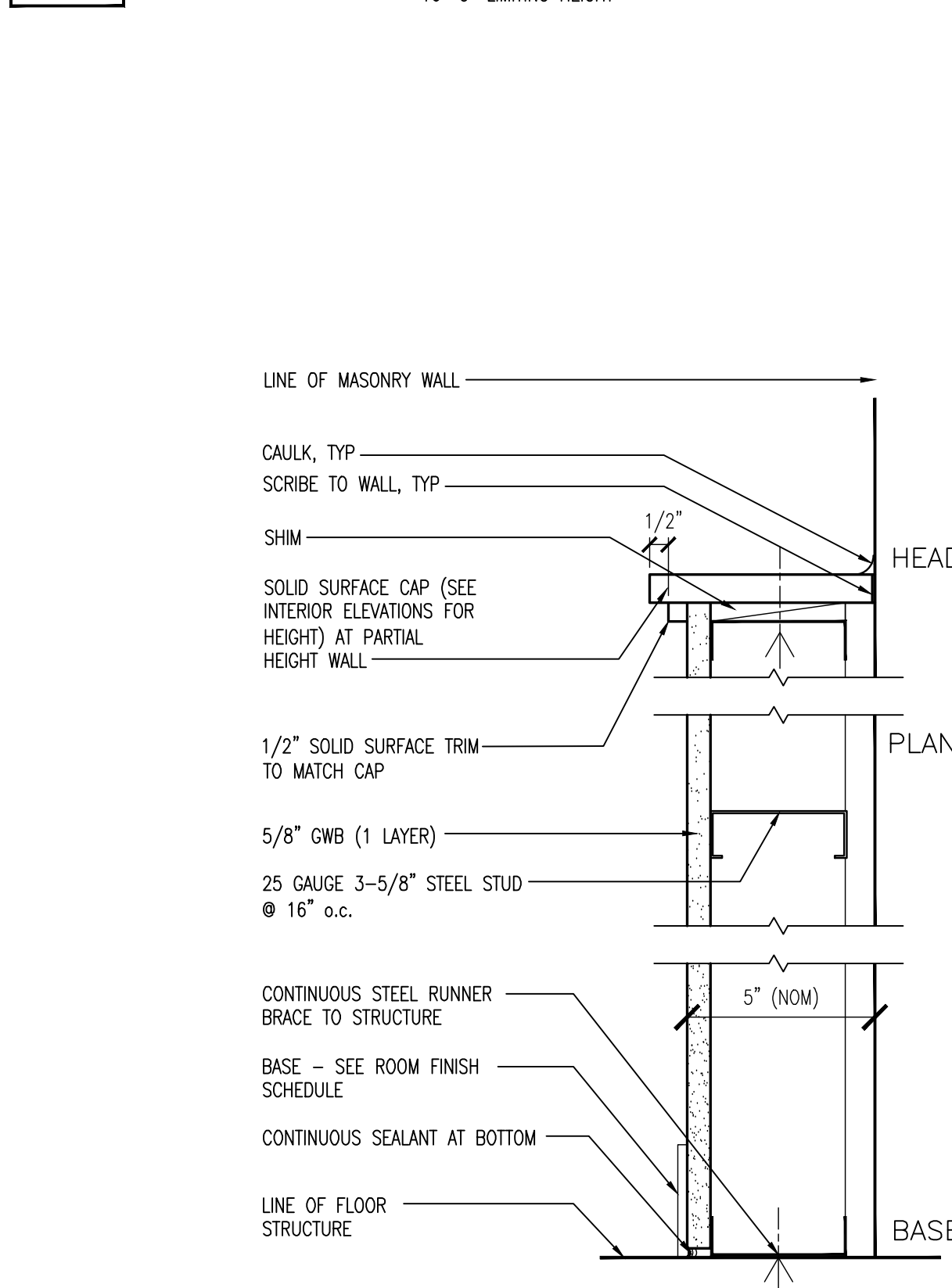
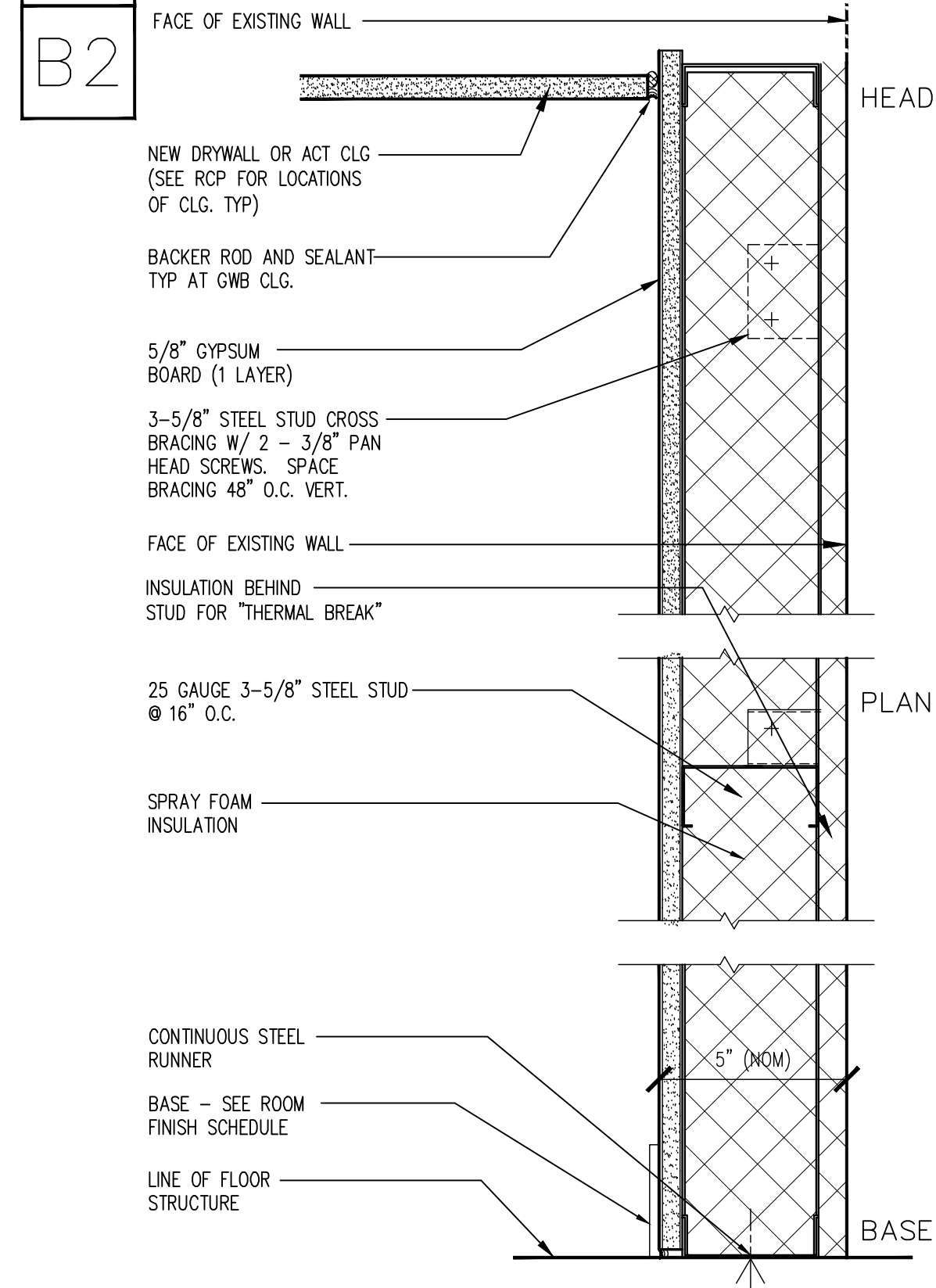
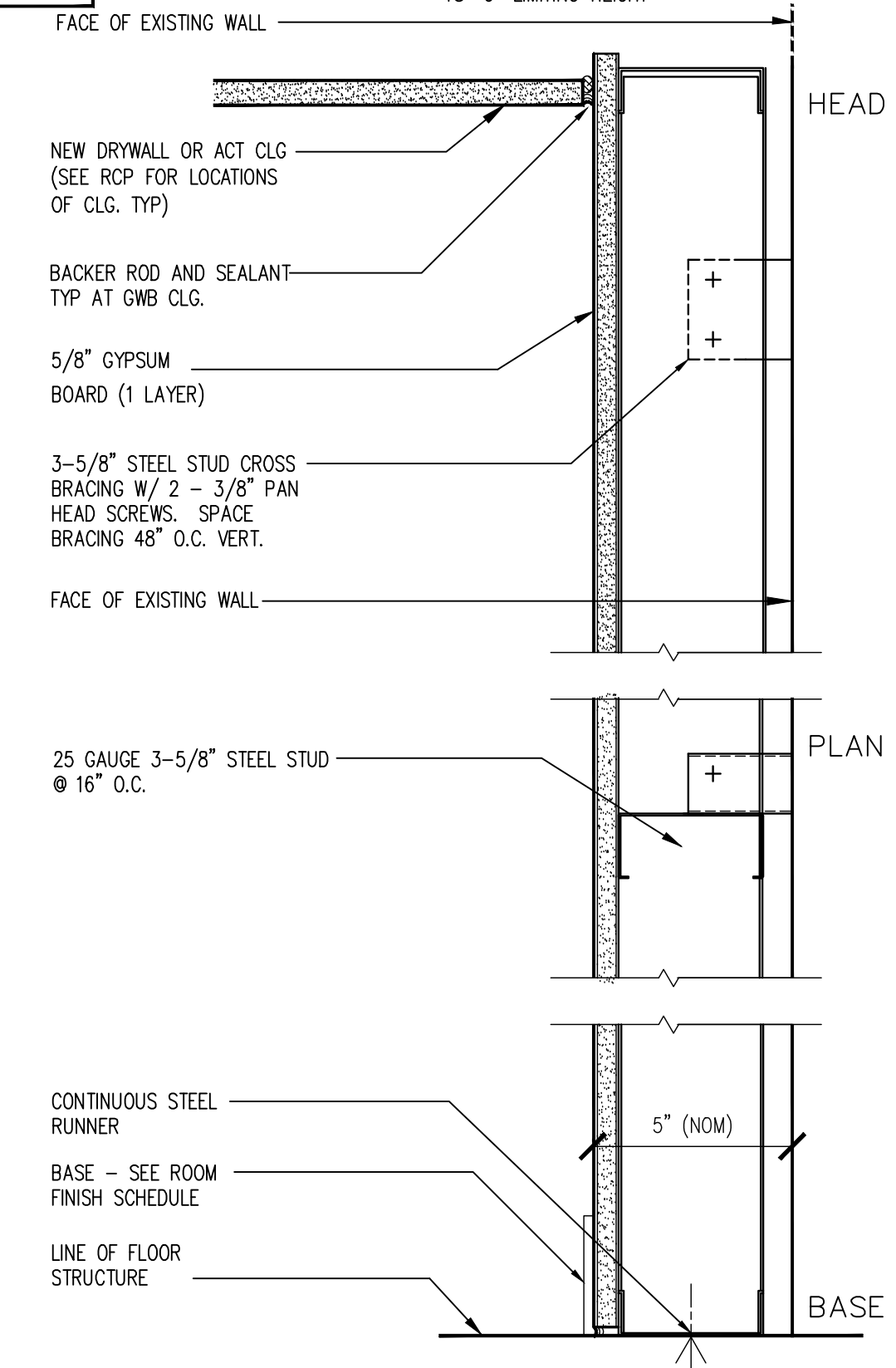
A 6" CMU PARTITION W/GWB - 2 HR
SCALE: 1-1/2" = 1'-0" 2 HR RATED (UL# U906)
18'-0" LIMITING HEIGHT

B1 5" PARTITION - UNRATED
SCALE: 3" = 1'-0" 16'-0" LIMITING HEIGHT

C1 5" DEMISING PARTITION - 1 HR
SCALE: 3" = 1'-0" 1 HR RATED (UL# U419)
16'-0" LIMITING HEIGHT

C2 6" DEMISING PARTITION - 1 HR
SCALE: 3" = 1'-0" 1 HR RATED (UL# U419)
16'-0" LIMITING HEIGHT

D FURRED PARTITION - UNRATED
SCALE: 3" = 1'-0"



E1 FURRED PARTITION - UNRATED
SCALE: 3" = 1'-0" 13'-3" LIMITING HEIGHT

E2 FURRED PARTITION - UNRATED
SCALE: 3" = 1'-0" 13'-3" LIMITING HEIGHT

F PARTIAL HEIGHT FURRING - UNRATED
SCALE: 3" = 1'-0"

G PARTIAL HEIGHT WALL - UNRATED
SCALE: 3" = 1'-0"

H DOUBLE STUD PLUMBING WALL
SCALE: 3" = 1'-0" 1 HR RATED (UL# U420)
13'-3" LIMITING HEIGHT

NOTES

5/9/11
ISSUED FOR
PERMIT

NO.	DATE	DESCRIPTION
xx/xx/xx	Issued for Construction	
5/9/11	Issued for Permit	
5/3/11	Issued for Bid	

Preschool Renovation for
North Park Elementary School
2017-2033 W. Montrose Avenue
Chicago, IL 60618

FOSTER DALE
ARCHITECTS, INC.
3717 N. Ravenswood Suite 111
Chicago, Illinois 60613
773 327-1000
773 327-1008 fax
www.fosterdalearchitects.com

PARTITION
TYPES

Scale:
AS NOTED

Drawn By:
FDA

Project Number:
0000

Sheet Number:
A6.1