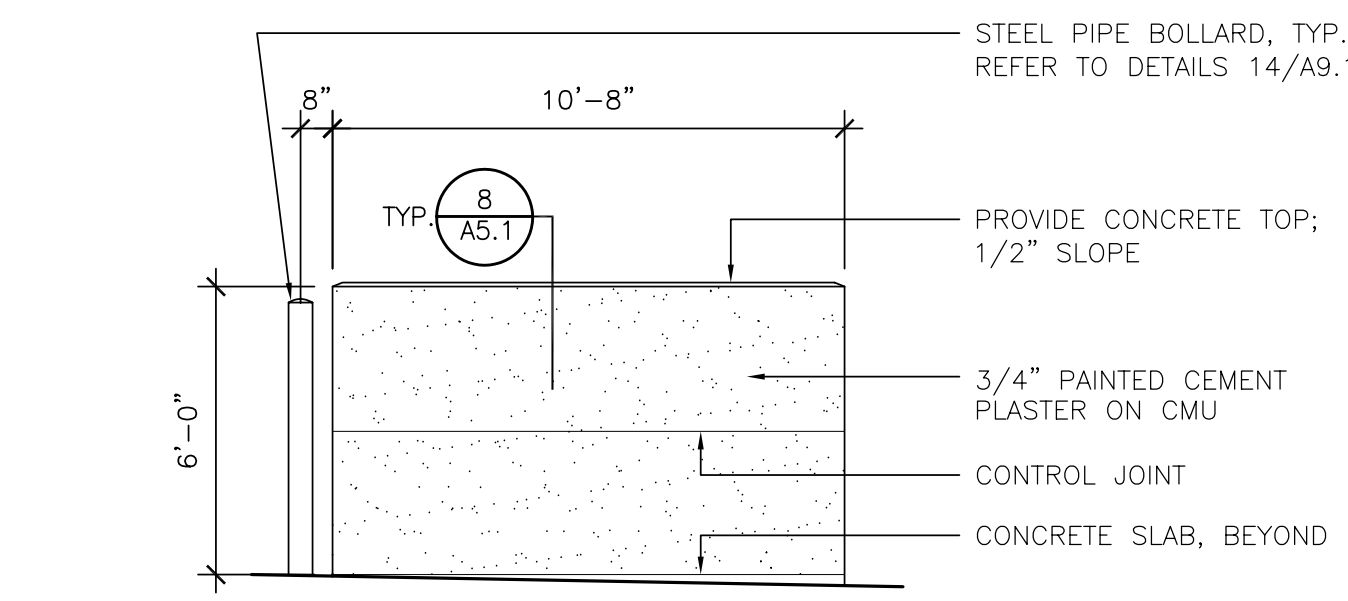
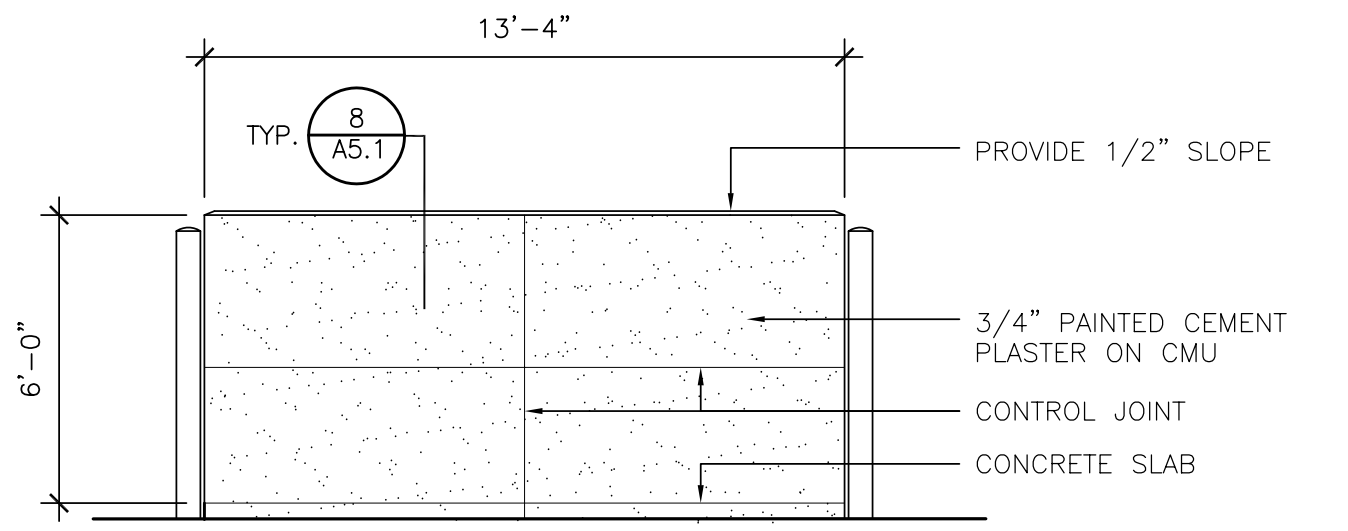


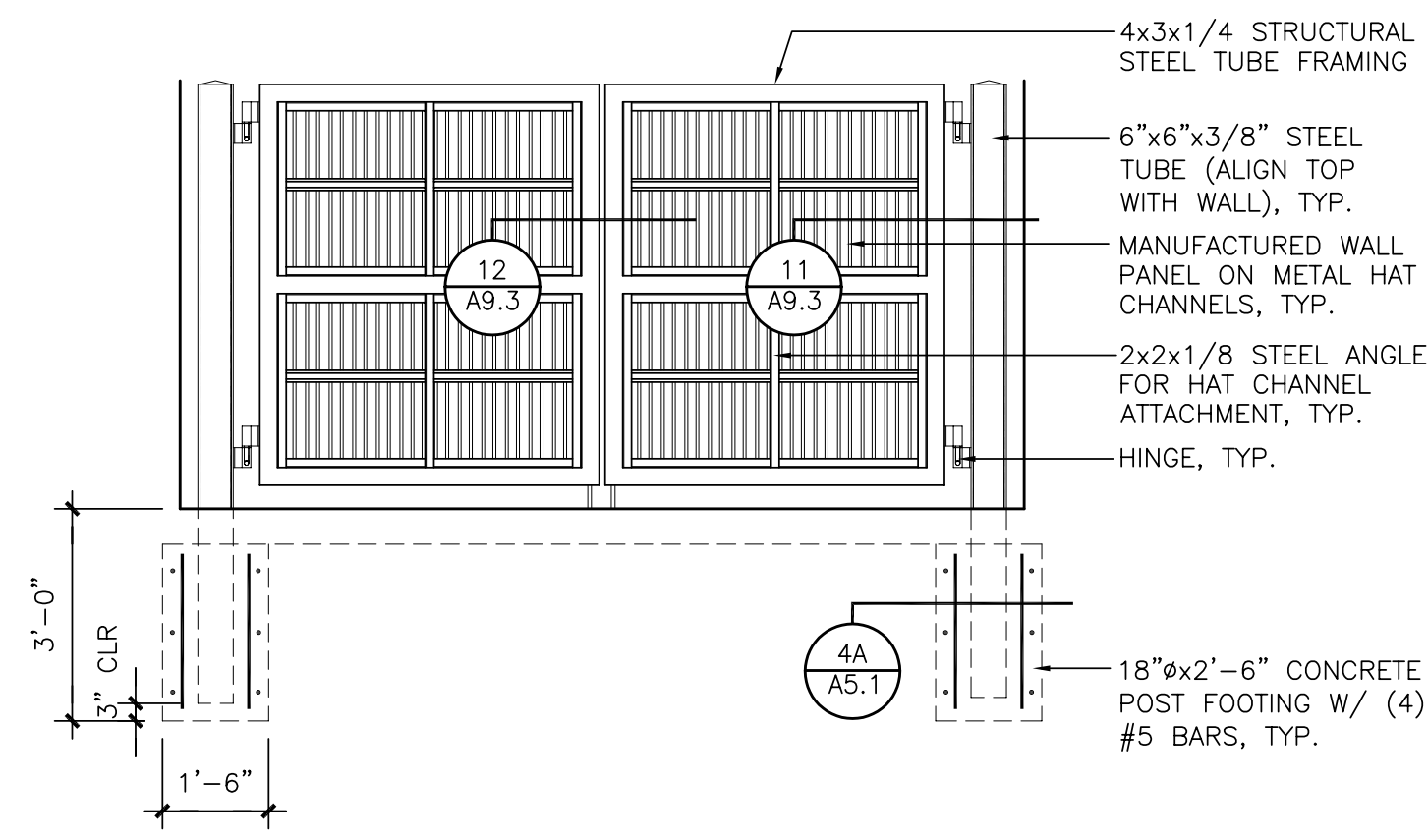
1 ENLARGED DUMPSTER ENCLOSURE PLAN
A5.1 SCALE: 1/4" = 1'-0"



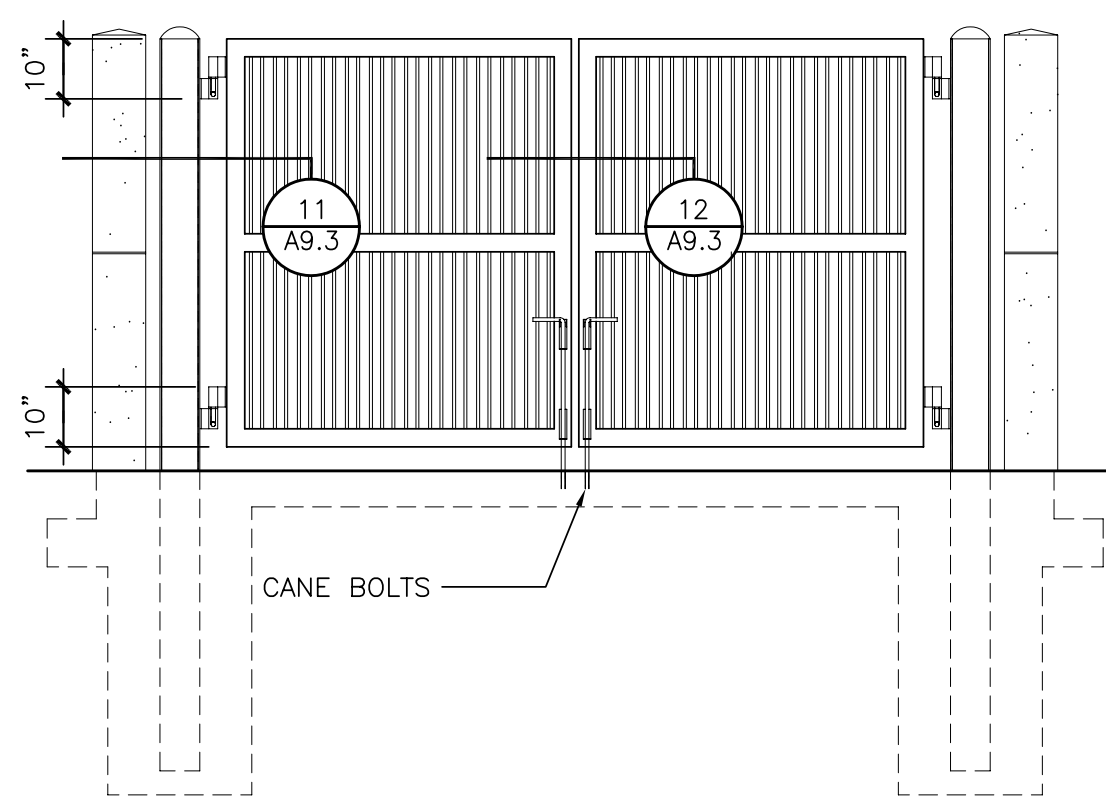
2 EAST AND WEST DUMPSTER ELEVATIONS
A5.1 SCALE: 1/4" = 1'-0"



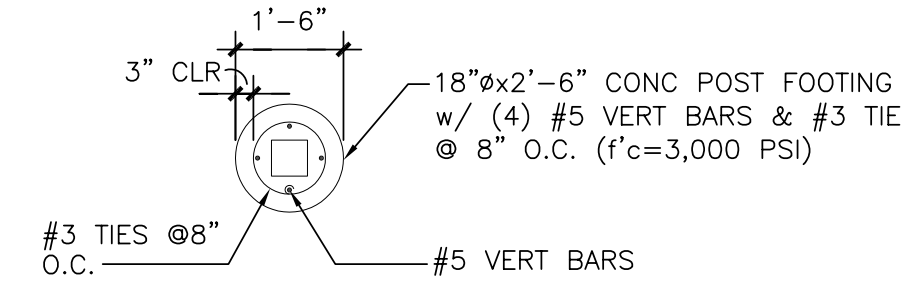
3 SOUTH DUMPSTER ELEVATION
A5.1 SCALE: 1/4" = 1'-0"



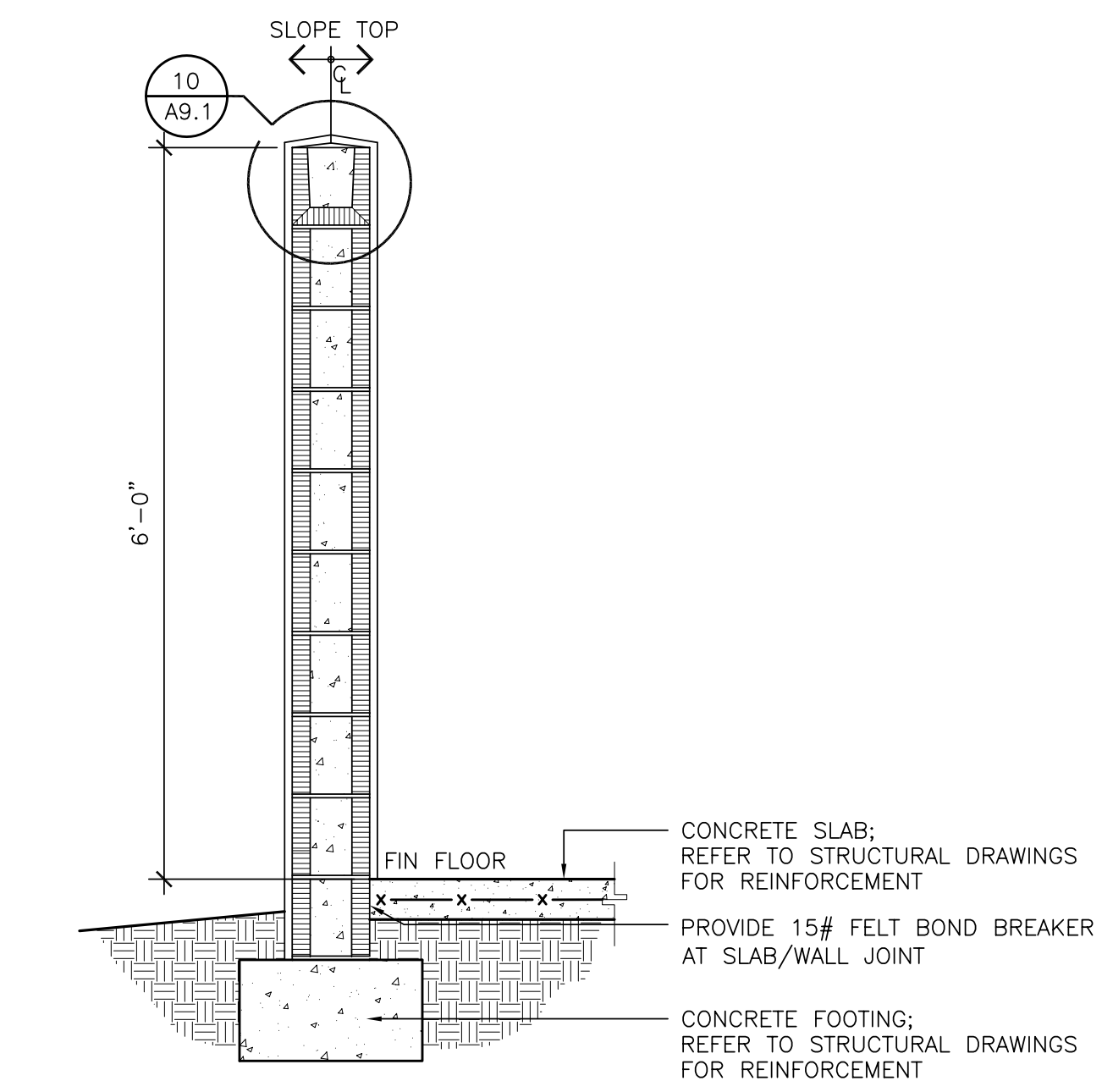
4 GATE ELEVATION AT DUMPSTER
A5.1 SCALE: 3/8" = 1'-0"



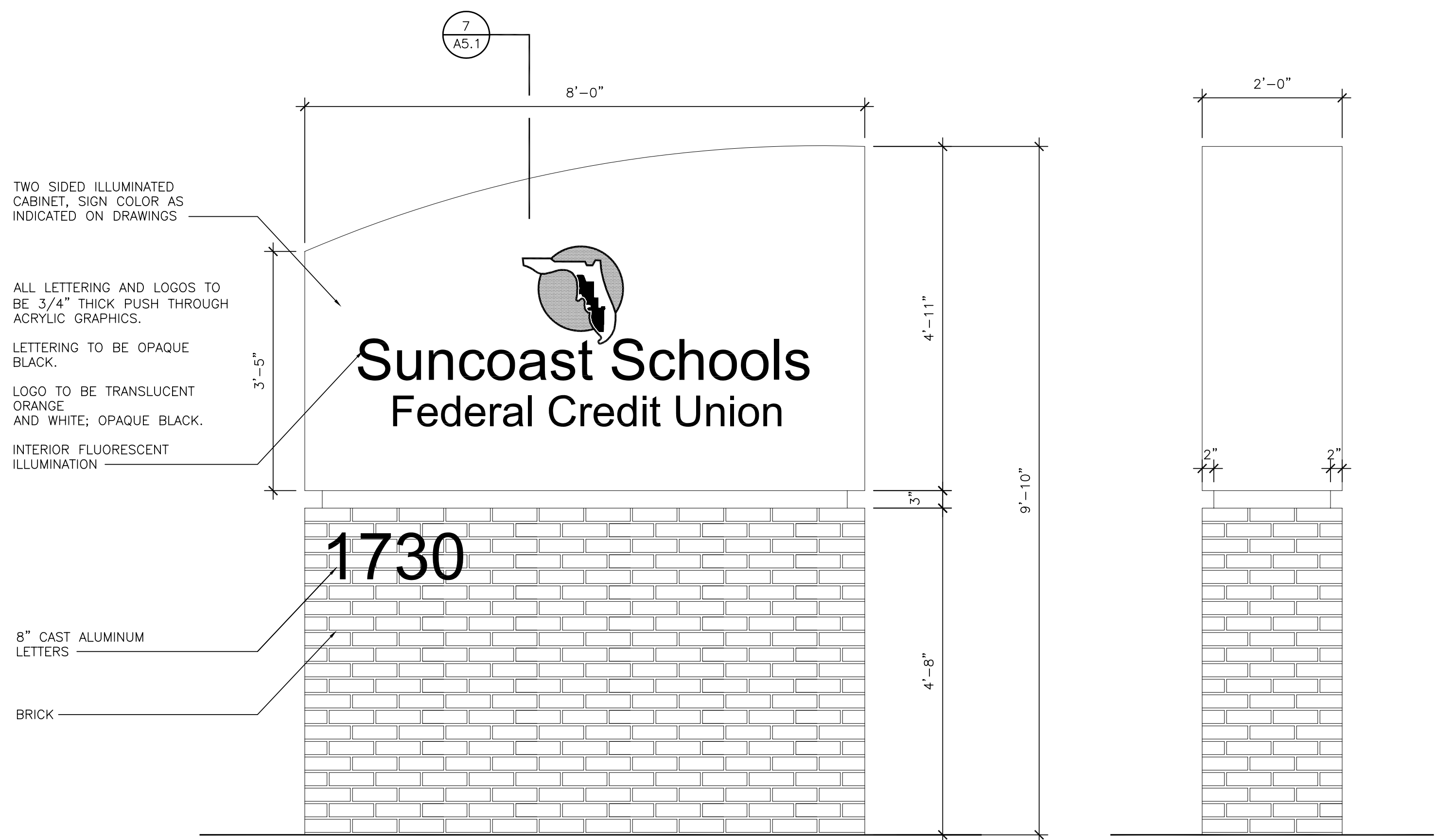
5 GATE ELEVATION AT DUMPSTER
A5.1 SCALE: 3/8" = 1'-0"



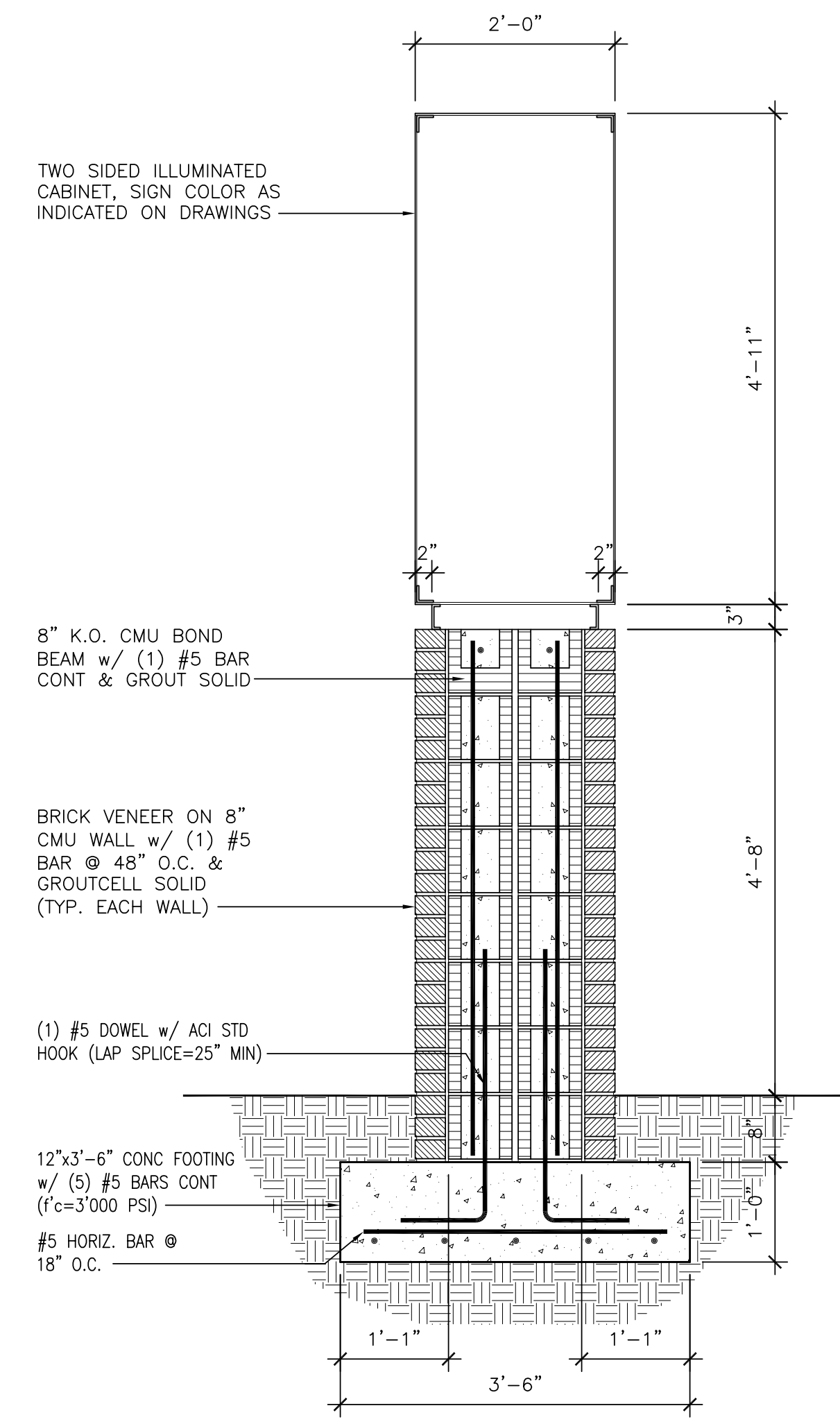
4A POST FOOTING PLAN
A5.1 SCALE: 3/8" = 1'-0"



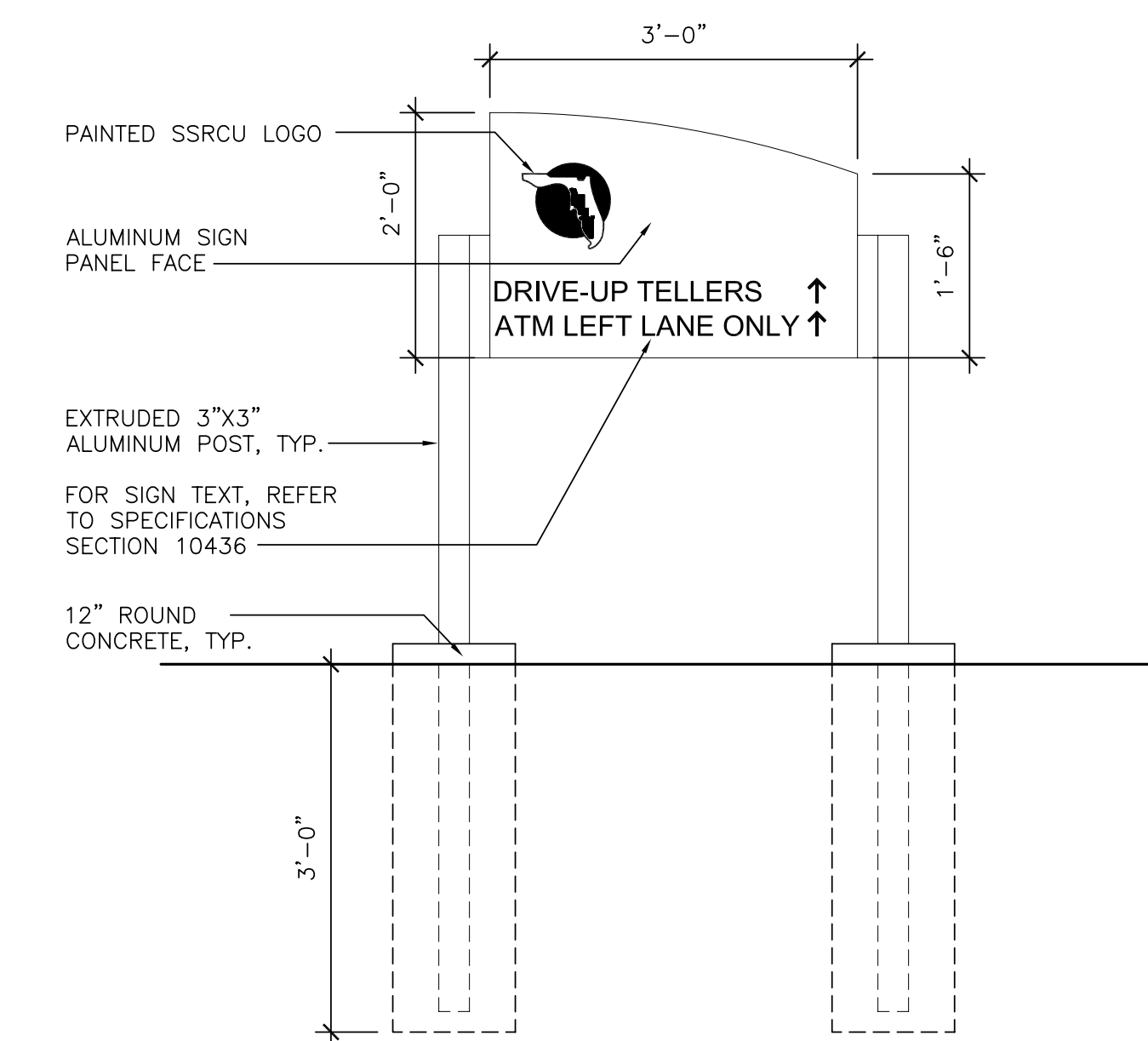
8 TYPICAL DUMPSTER WALL SECTION
A5.1 NOT TO SCALE AT DUMPSTER



9 DOUBLE SIDED EXTERIOR ELEVATION ILLUMINATED PYLON SIGN
A5.1 SCALE: 3/4" = 1'-0"



7 SIGNAGE SECTION ILLUMINATED PYLON SIGN
A5.1 SCALE: 3/4" = 1'-0"



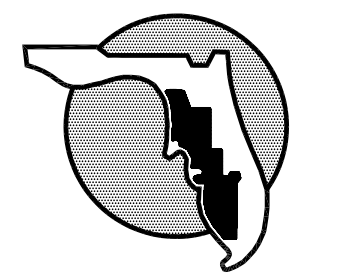
6 EXTERIOR POST & PANEL SIGN
A5.1 SCALE: 3/4" = 1'-0"

ARCHITECT
HOLMES HEPPNER & ASSOCIATES ARCHITECTS
109 NORTH BRUSH STREET, SUITE 100
TAMPA, FLORIDA 33602
813-229-0814
REG. NO. AA 0002617

CIVIL ENGINEER AND LANDSCAPE
TOM CONSULTING, INC.
8695 COLLEGE PARKWAY, SUITE 106
FORT MYERS, FLORIDA 33919
239-433-4231
REG. NO. P0300007219

STRUCTURAL ENGINEER
CATALANO ENGINEERING, INC.
120 SOUTH EDSON AVE.
TAMPA, FLORIDA 33606
813-254-1255
REG. NO. 6828

MECHANICAL, ELECTRICAL, & PLUMBING ENGINEER
ANSTON-GREENLEES, INC.
1315 WEST FLETCHER AVE.
TAMPA, FLORIDA 33612
813-963-1919
REG. NO. 6993



SUNCOAST
SCHOOLS
FEDERAL
CREDIT UNION

CAPE CORAL
MEMBER SERVICE CENTER

PROJECT NO. 2856
DISTRIBUTION DATE
CONSTRUCTION DOCUMENTS 07/11/2007

SITE DETAILS

A5.1