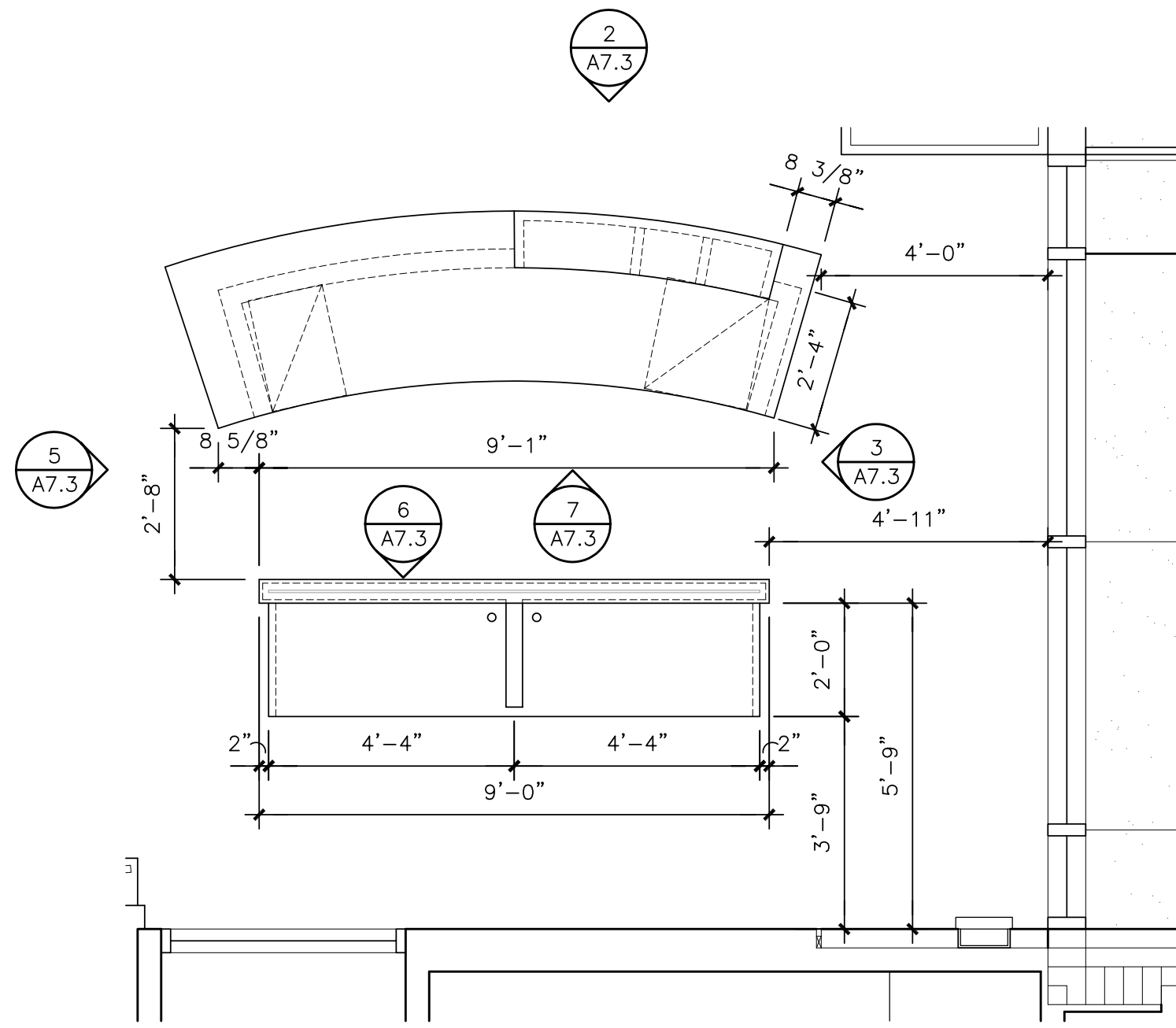


ARCHITECT
 HOLMES HEFNER & ASSOCIATES ARCHITECTS
 109 NORTH BRUSH STREET, SUITE 100
 TAMPA, FLORIDA 33602
 813-229-0814
 REG. NO. AA 0002617

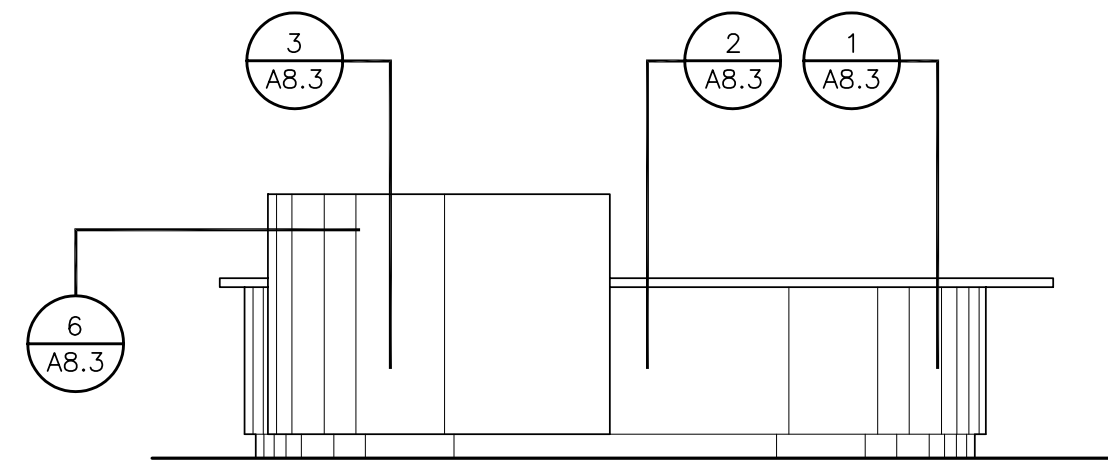
CIVIL ENGINEER AND LANDSCAPE
 TOM CONSULTING, INC.
 8695 COLLEGE PARKWAY, SUITE 106
 FORT MYERS, FLORIDA 33919
 239-433-4231
 REG. NO. P03000072119

STRUCTURAL ENGINEER
 CATALANO ENGINEERING, INC.
 120 SOUTH EDSON AVE.
 TAMPA, FLORIDA 33606
 813-254-1265
 REG. NO. 6828

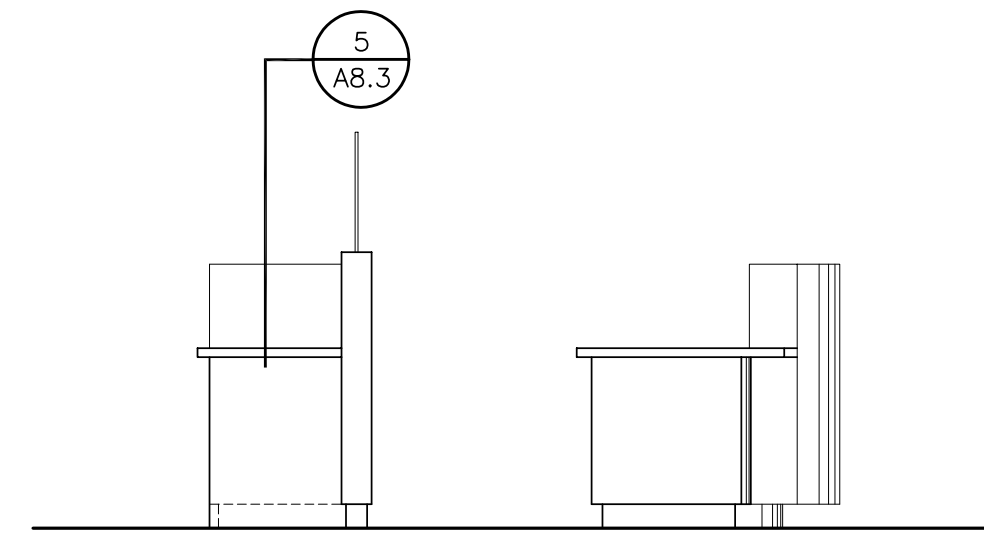
MECHANICAL, ELECTRICAL, & PLUMBING ENGINEER
 ANSTON-GREENLEES, INC.
 1315 WEST FLETCHER AVE.
 TAMPA, FLORIDA 33612
 813-963-1919
 REG. NO. 6993



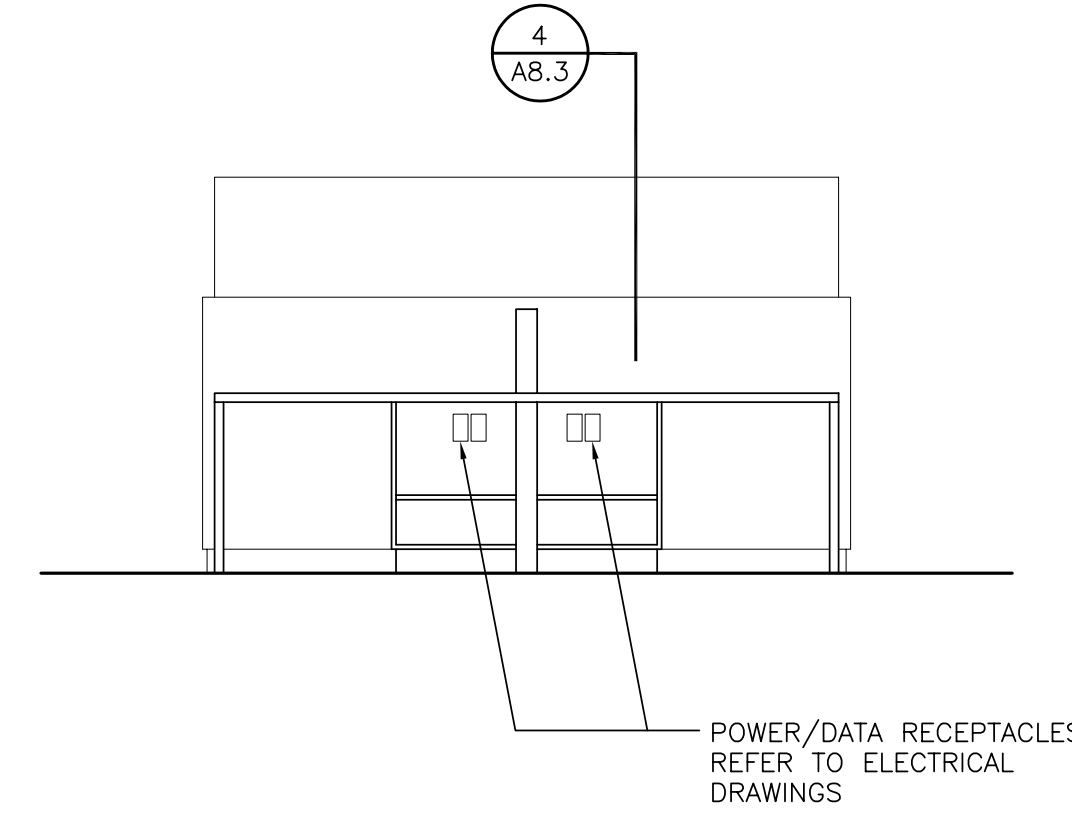
1 LOCATION PLAN
 A7.3 SCALE: 3/8" = 1'-0"



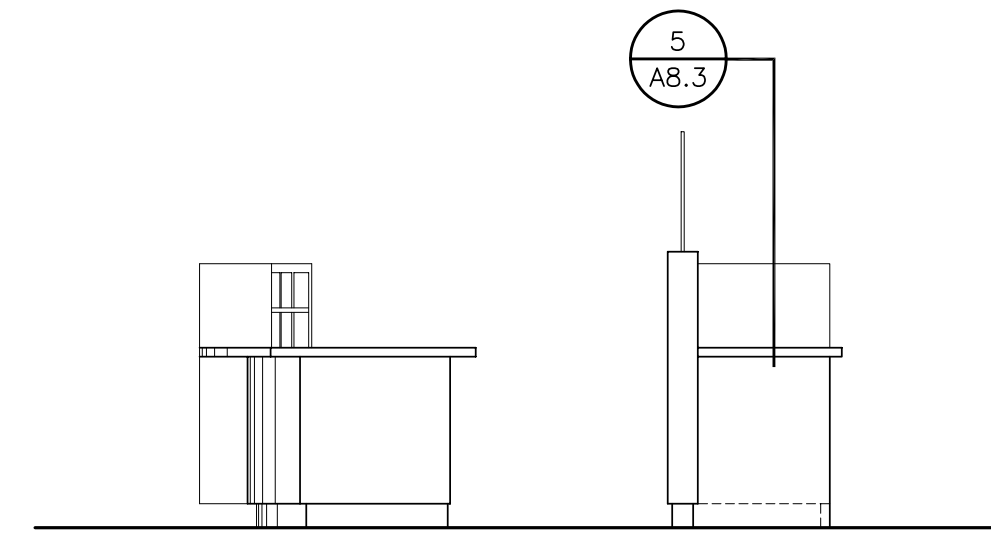
2 ELEVATION
 A7.3 SCALE: 3/8" = 1'-0"



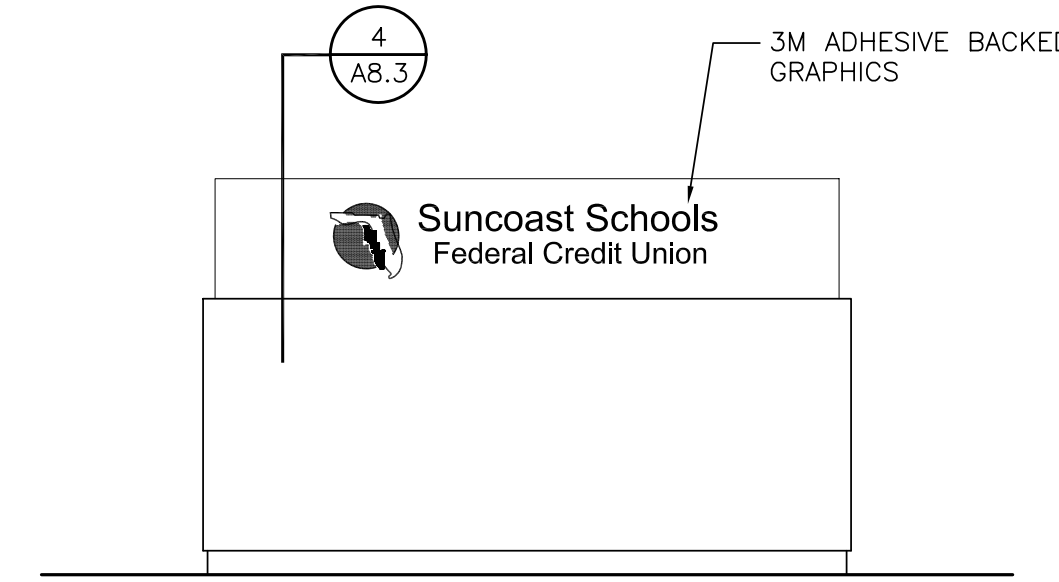
3 ELEVATION
 A7.3 SCALE: 3/8" = 1'-0"



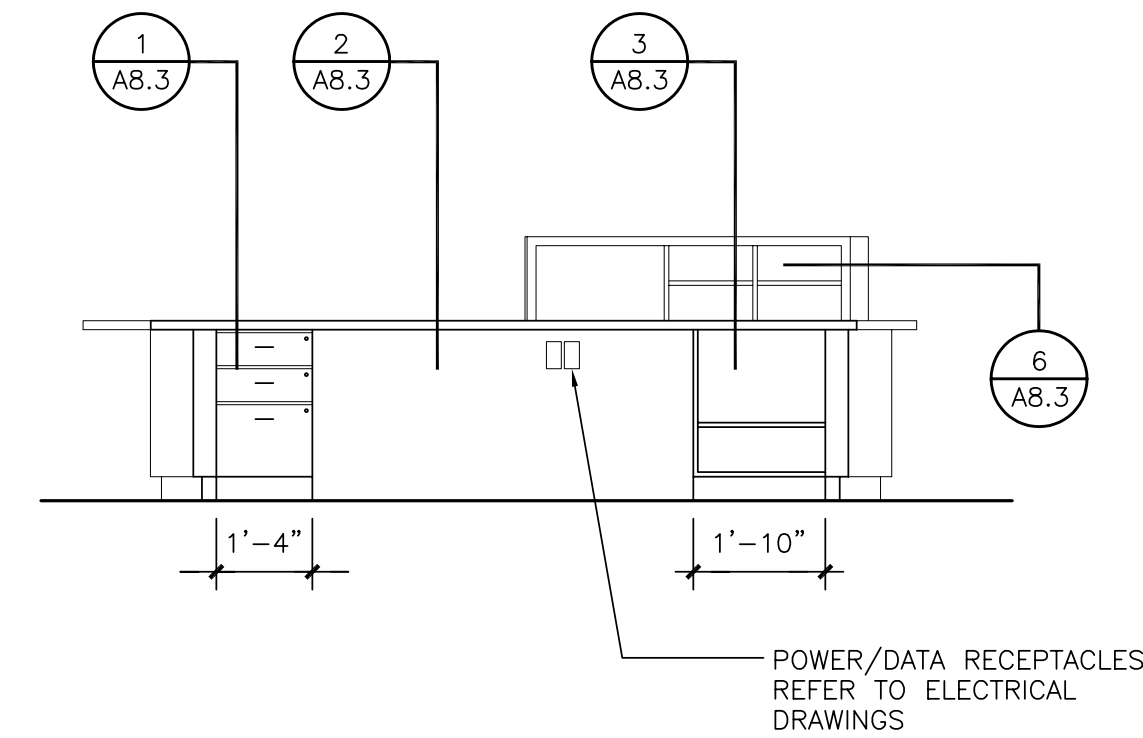
4 ELEVATION
 A7.3 SCALE: 3/8" = 1'-0"



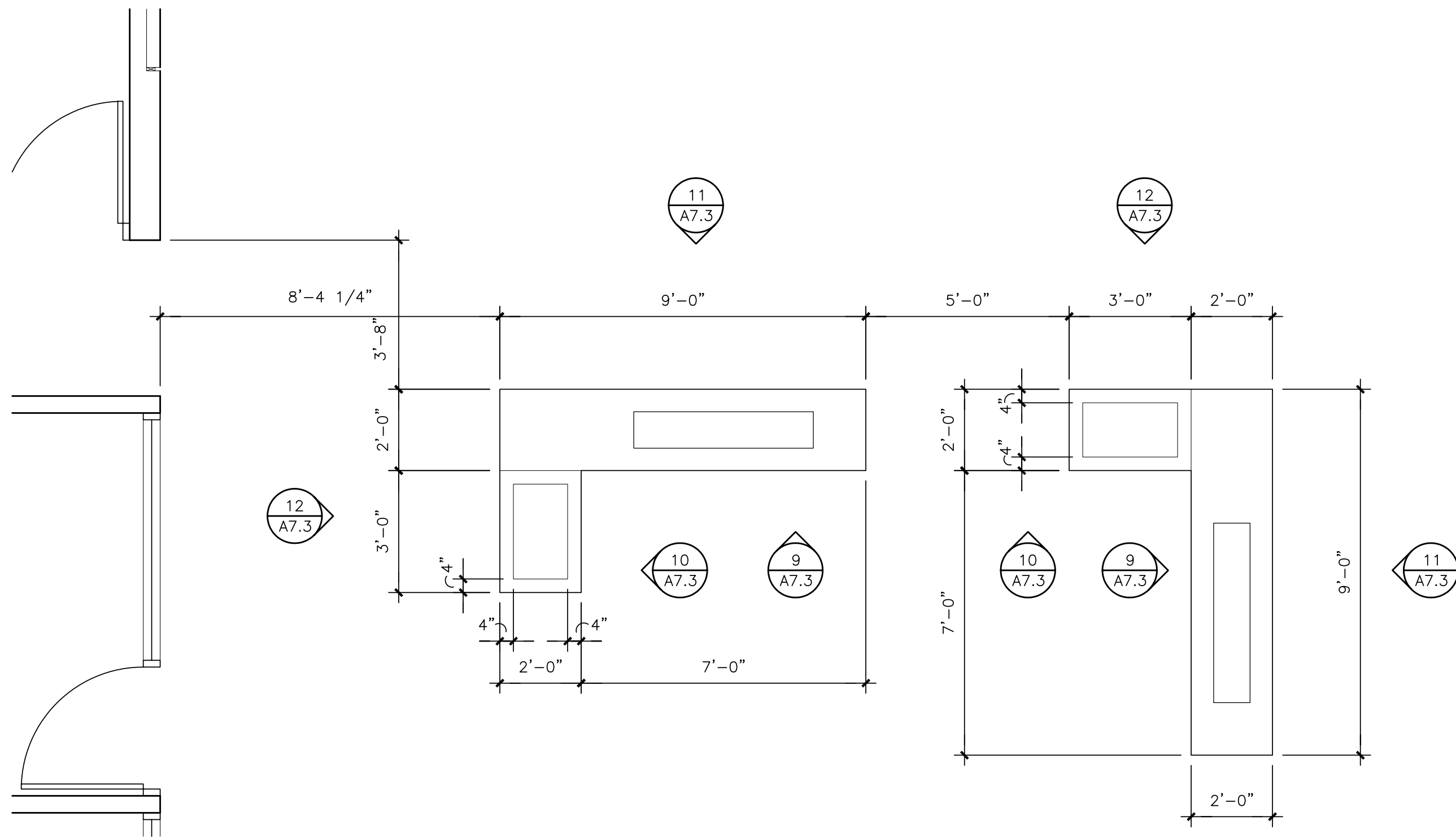
5 ELEVATION
 A7.3 SCALE: 3/8" = 1'-0"



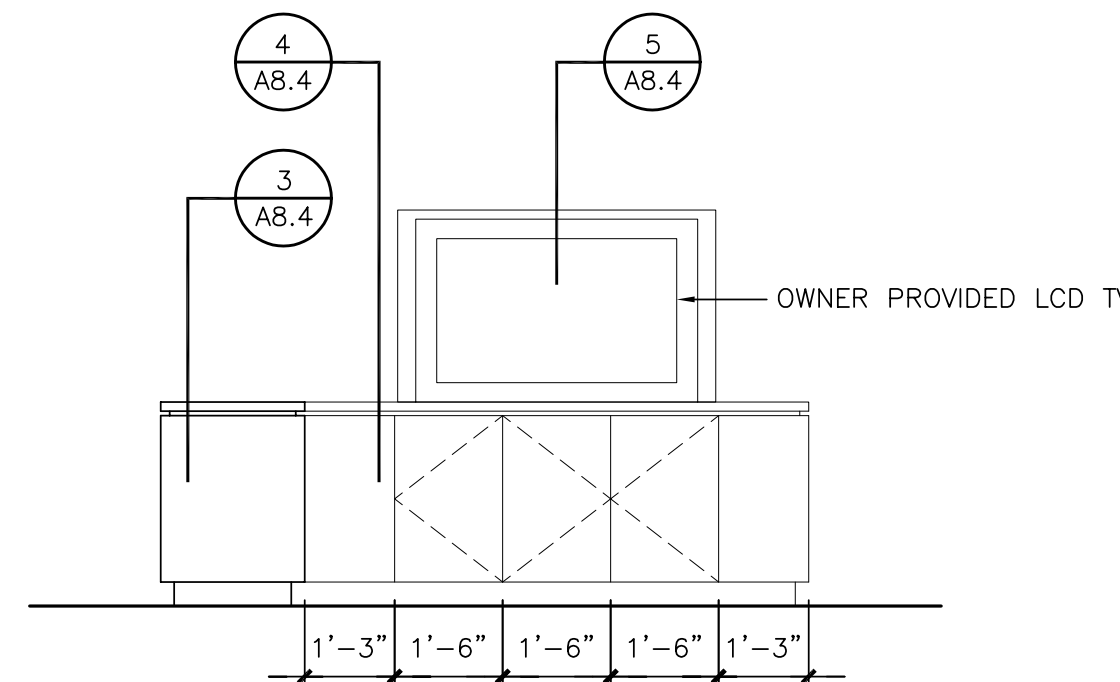
6 ELEVATION
 A7.3 SCALE: 3/8" = 1'-0"



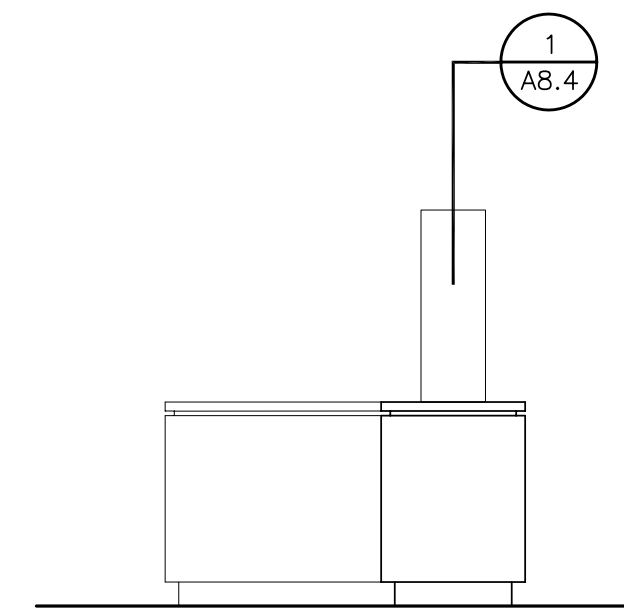
7 ELEVATION
 A7.3 SCALE: 3/8" = 1'-0"



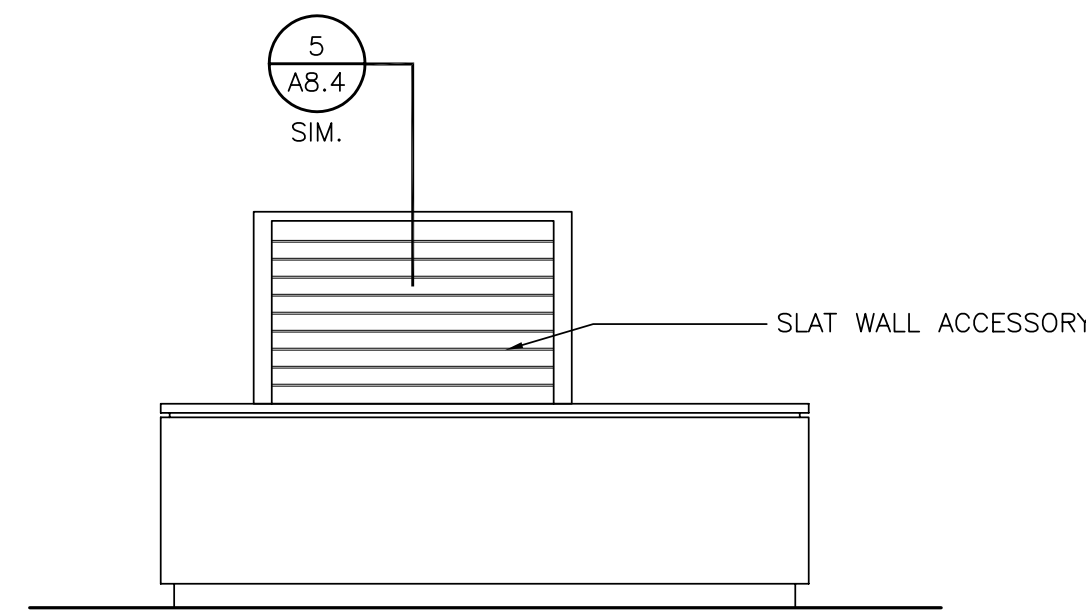
8 LOCATION PLAN
 A7.3 SCALE: 3/8" = 1'-0"



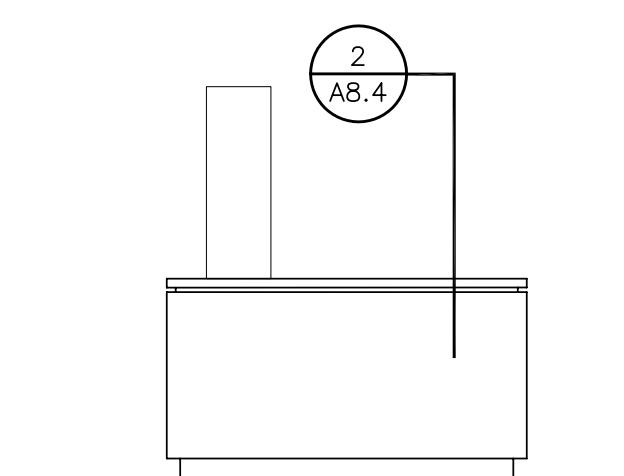
9 ELEVATION
 A7.3 SCALE: 3/8" = 1'-0"



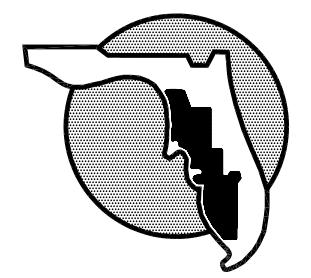
10 ELEVATION
 A7.3 SCALE: 3/8" = 1'-0"



11 ELEVATION
 A7.3 SCALE: 3/8" = 1'-0"



12 ELEVATION
 A7.3 SCALE: 3/8" = 1'-0"



SUNCOAST
 SCHOOLS
 FEDERAL
 CREDIT UNION

CAPE CORAL
 MEMBER SERVICE CENTER

PROJECT NO. 2856
 DISTRIBUTION DATE
 CONSTRUCTION DOCUMENTS 07/11/2007

LARGE SCALE
 PLAN AND
 ELEVATIONS

A7.3