

REVISION DATE	
FOR RECORD	09.14.21
FOR APPROVAL	09.16.21

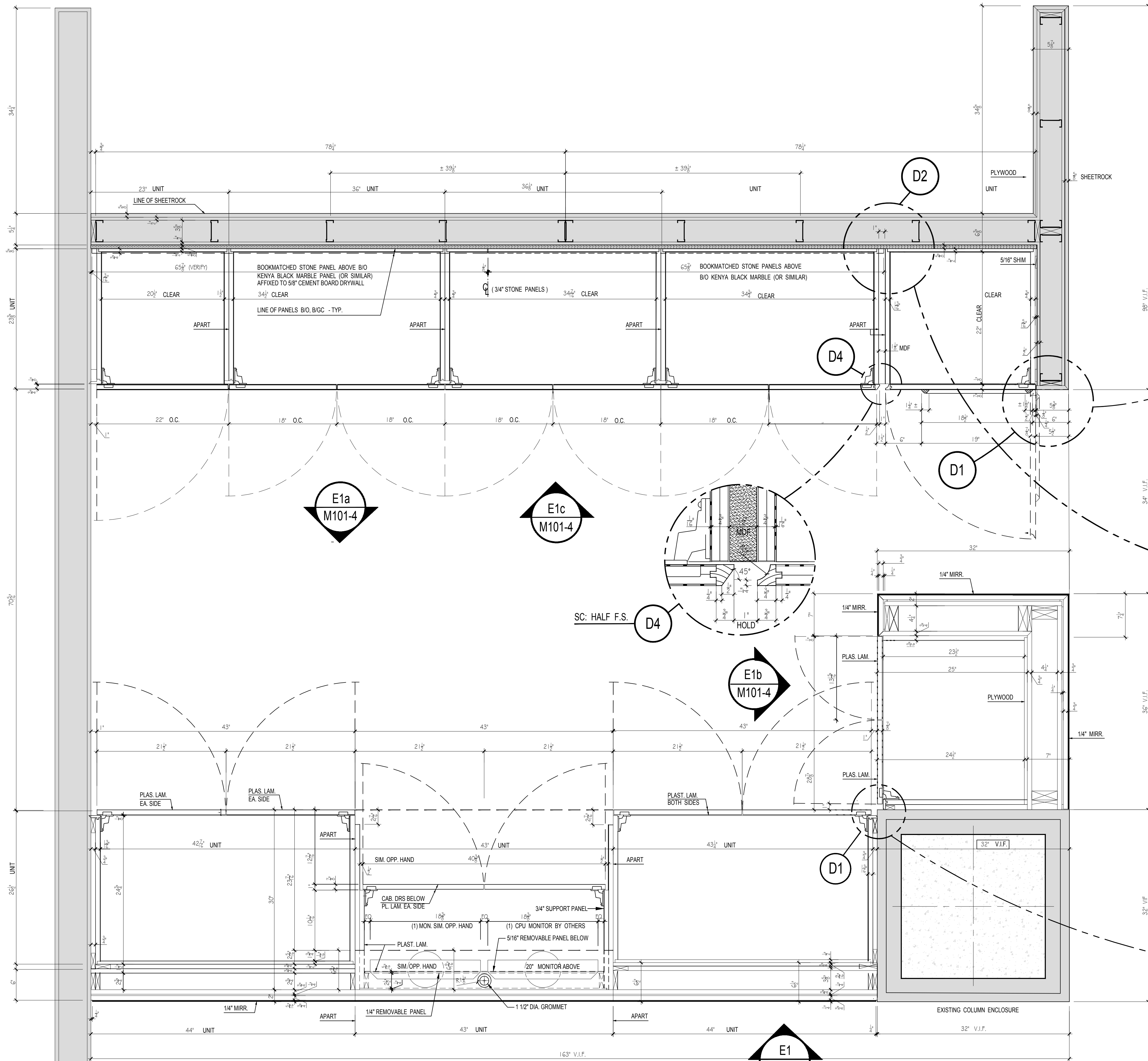
PROJECT:
37-11 30th STREET
QUEENS, NY 11101

OWNER:
30th STREET HOLDINGS LLC
38 EAST 29th STREET
NEW YORK, NY 10016

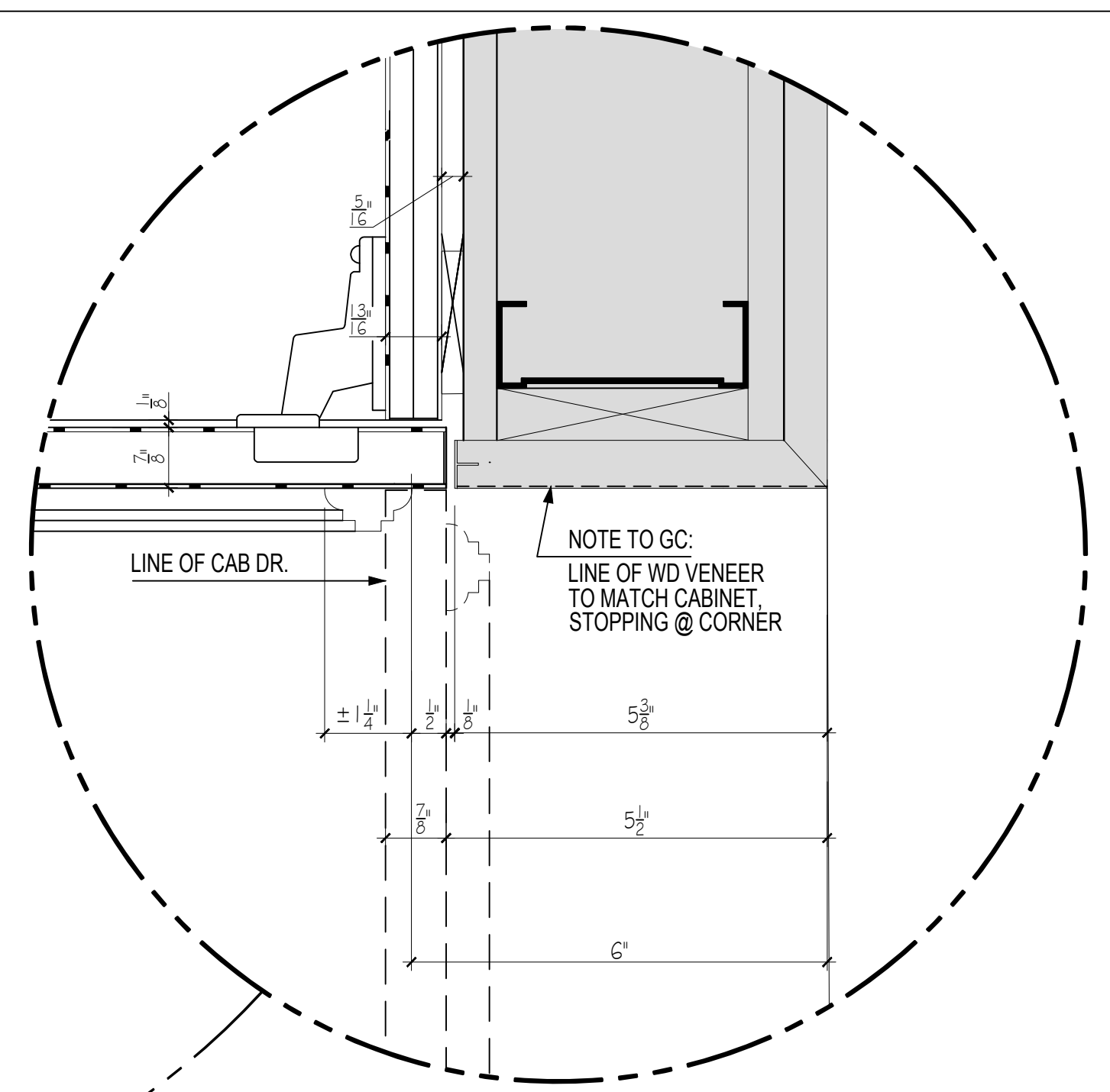
COMPANY LOGO:

Date 09.14.21
Scale AS NOTED
Drawn J.F.
Area @ LOBBY 400-1/400-1A
RECEPTION DESK AREA
Sheet

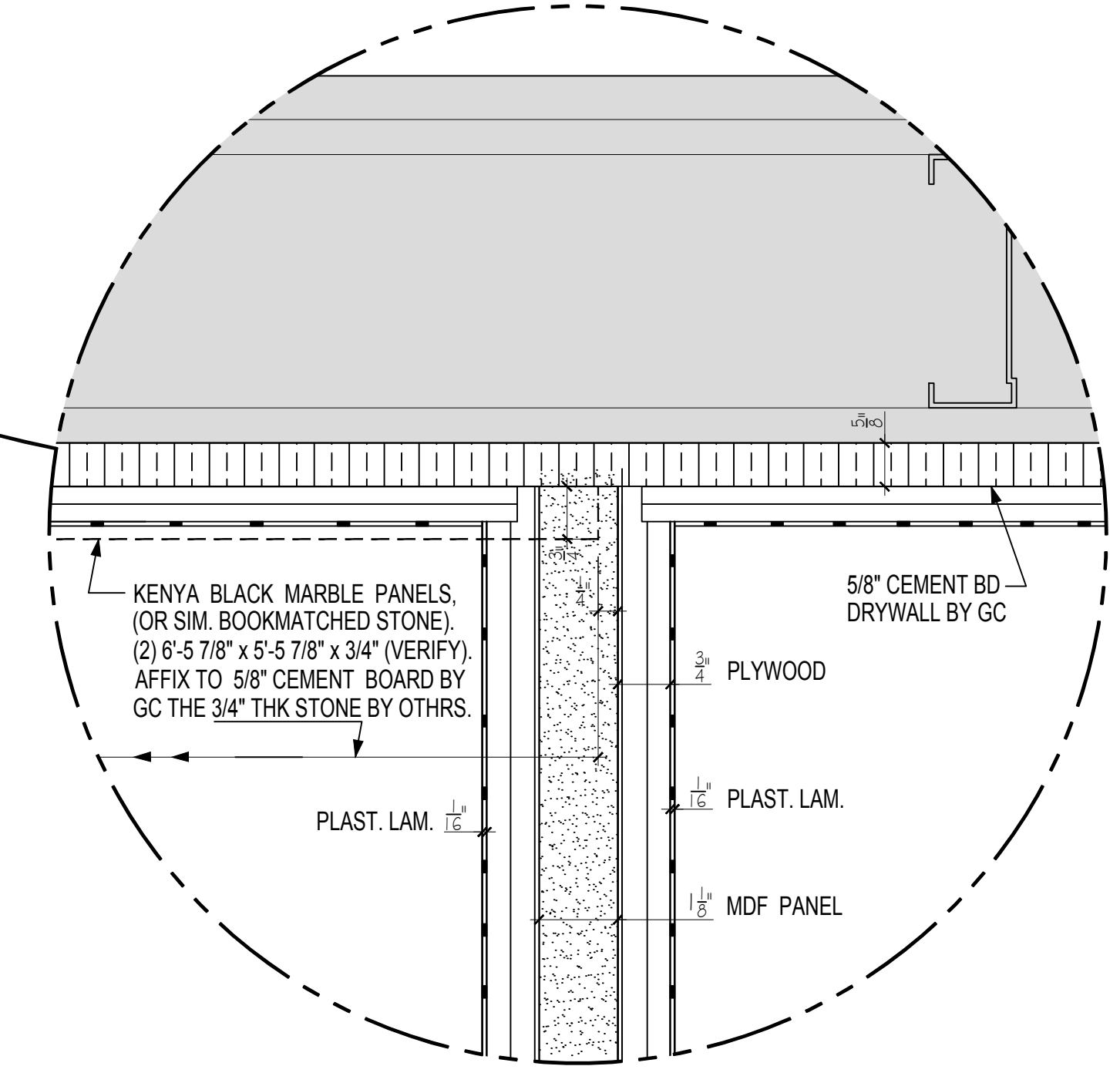
M101-4



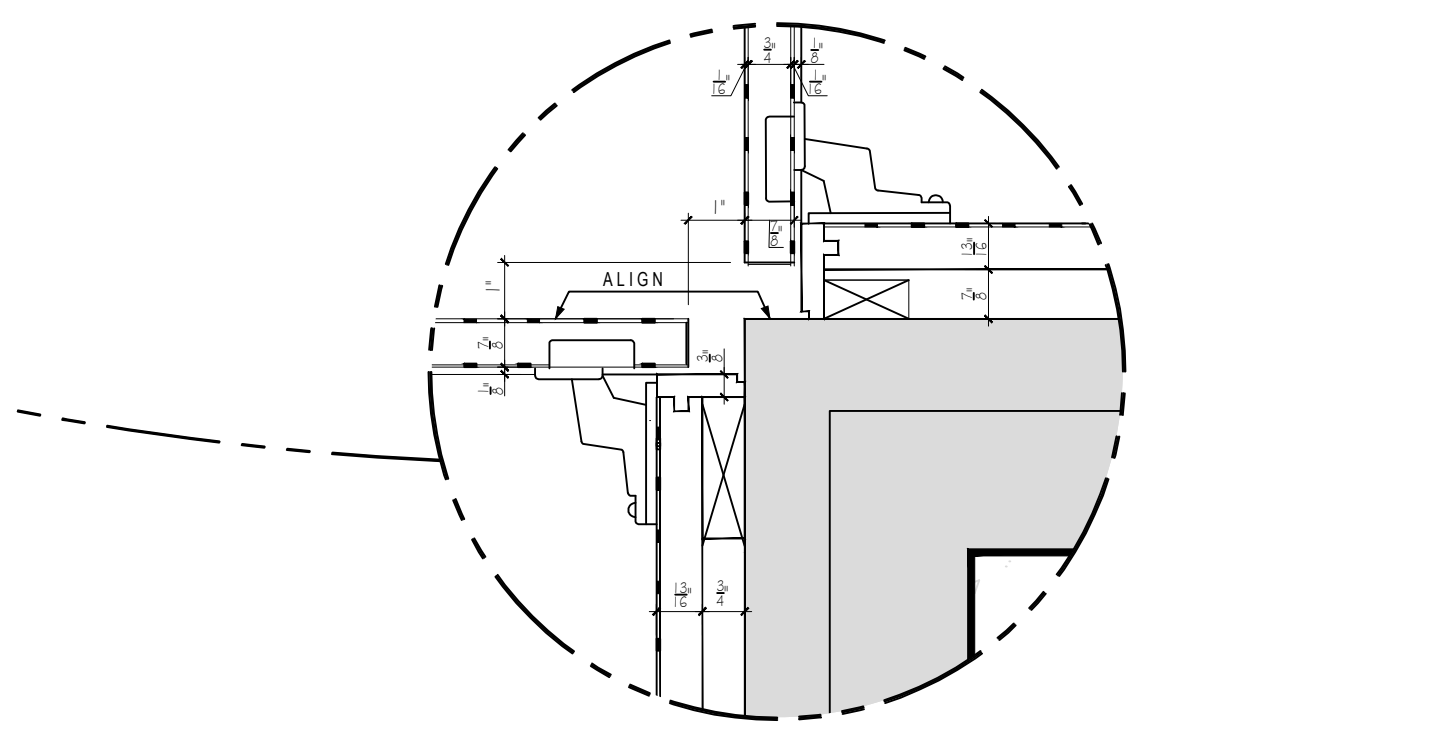
LOWER PLAN SECT. @ RECEPTION DESK SCALE: 1 1/2"=1'-0"



PLAN DETAIL D1
SCALE: HALF FULL-SIZE
M101-1



PLAN DETAIL D2
SCALE: HALF FULL-SIZE
M101-1



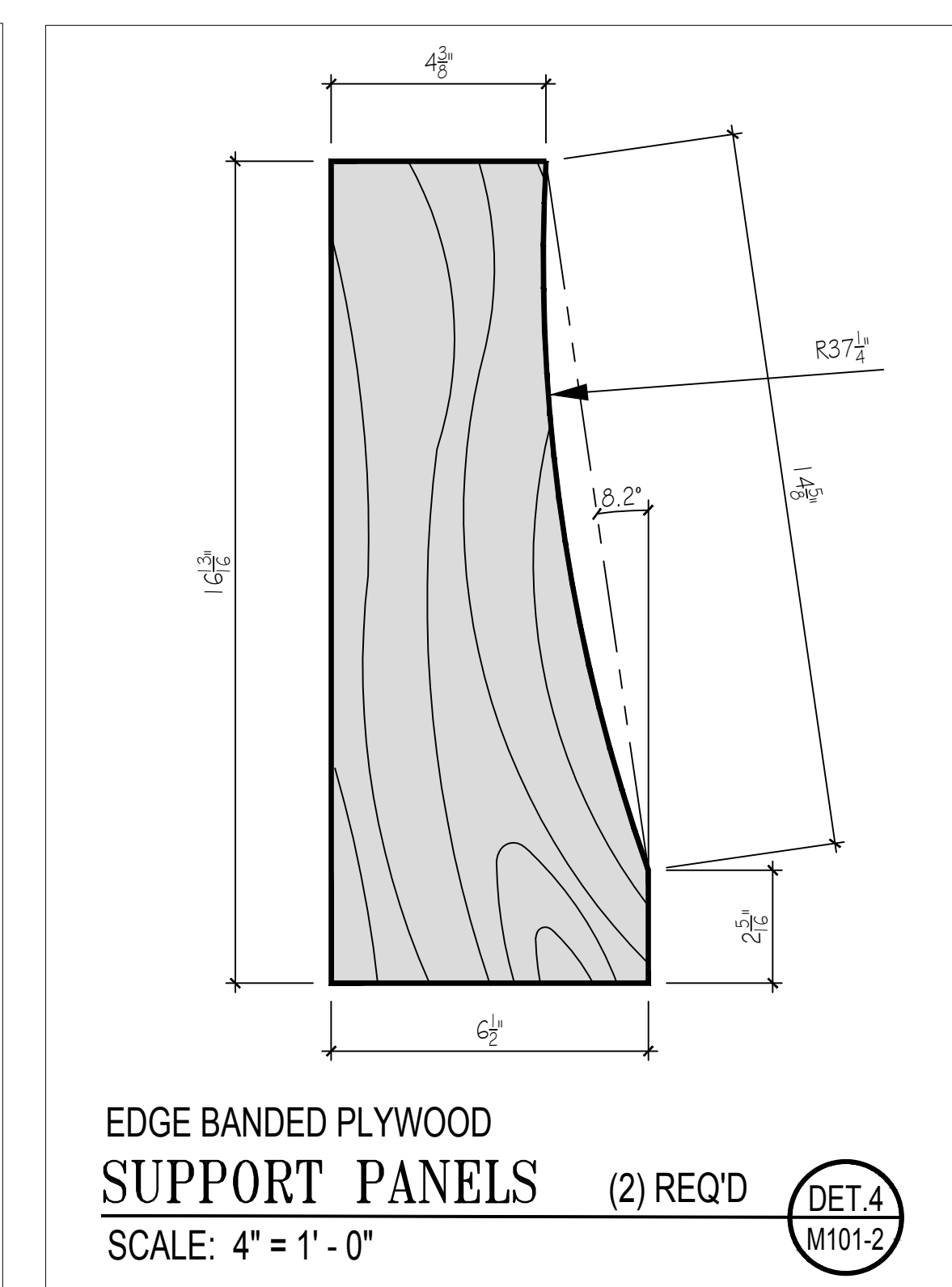
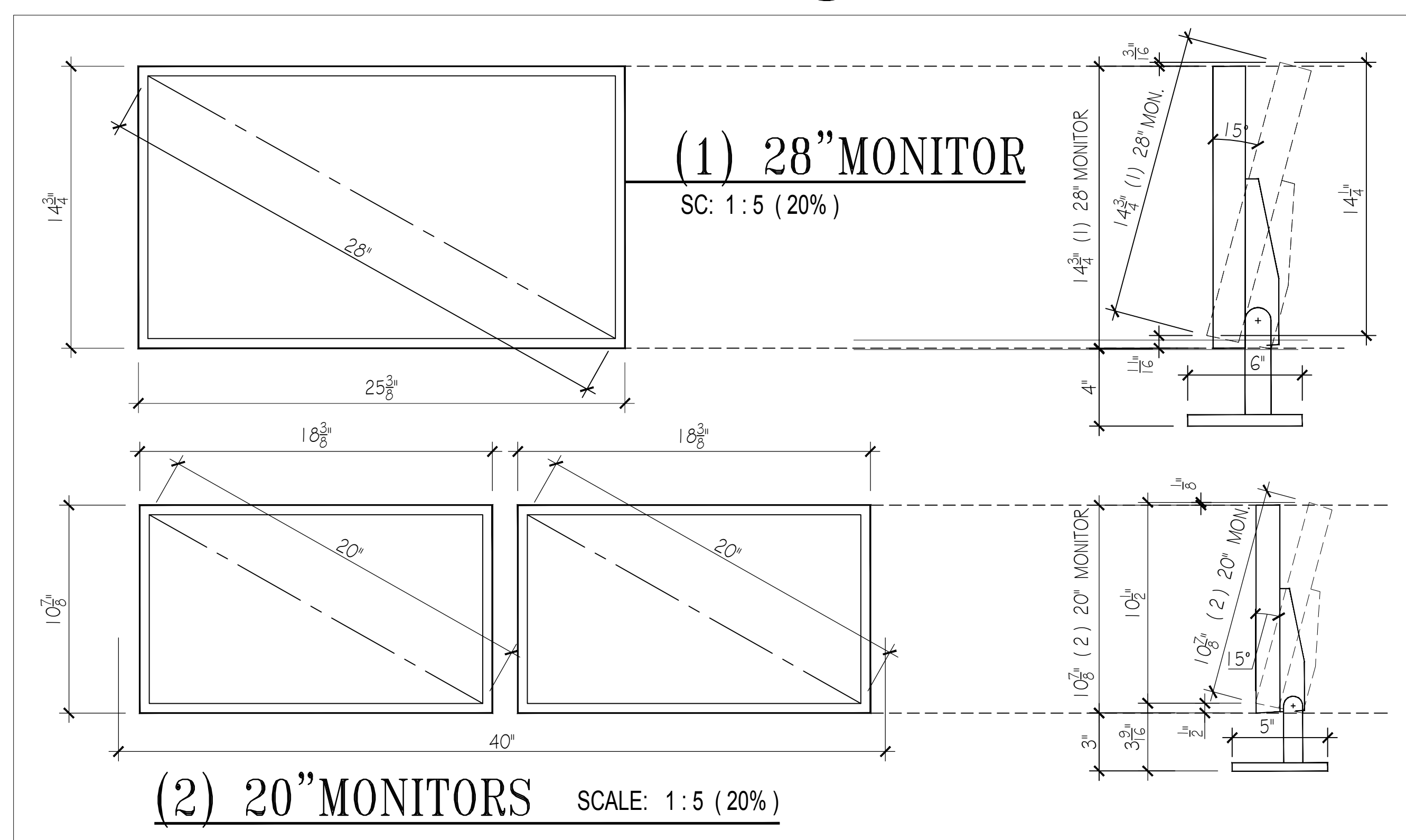
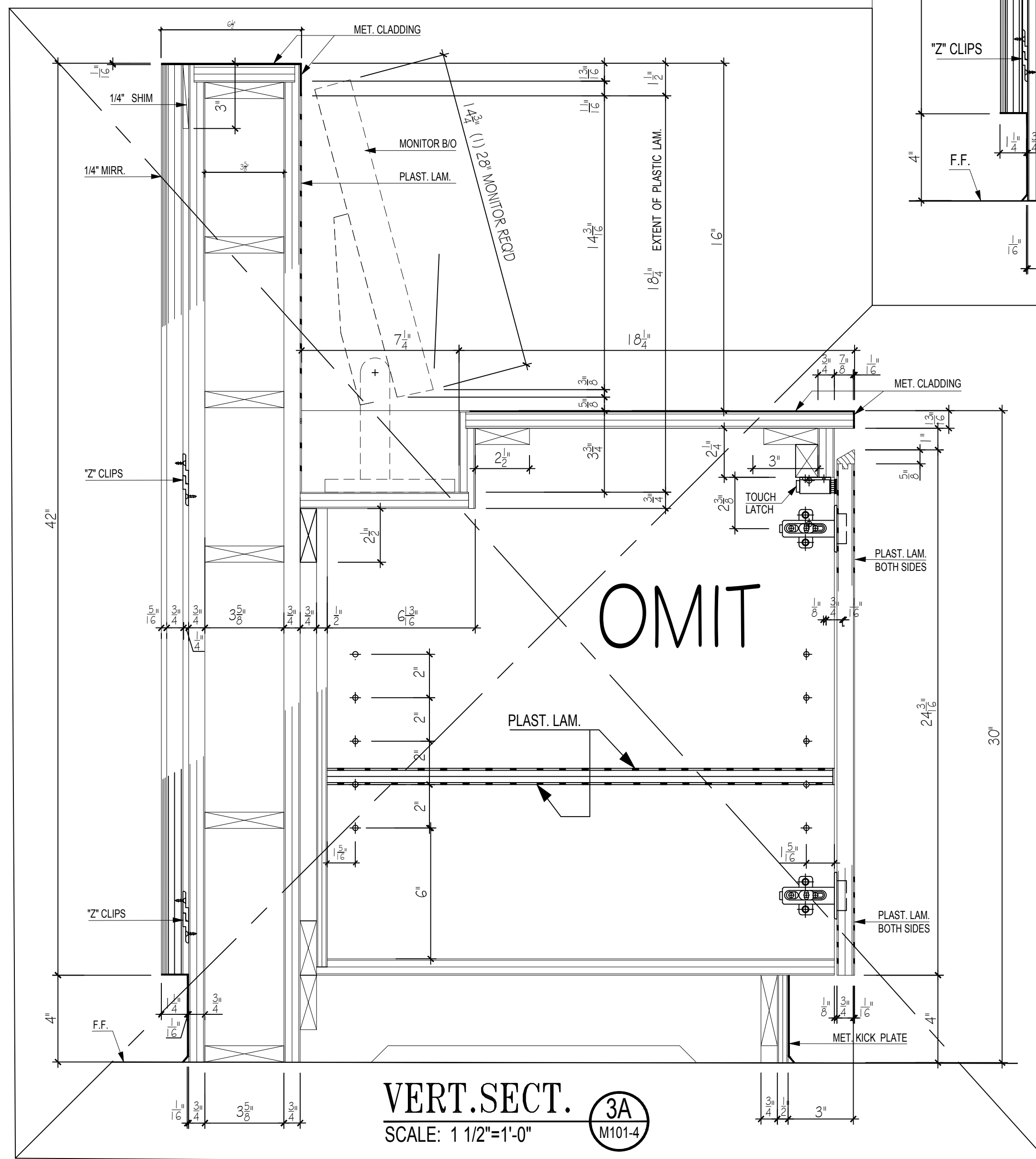
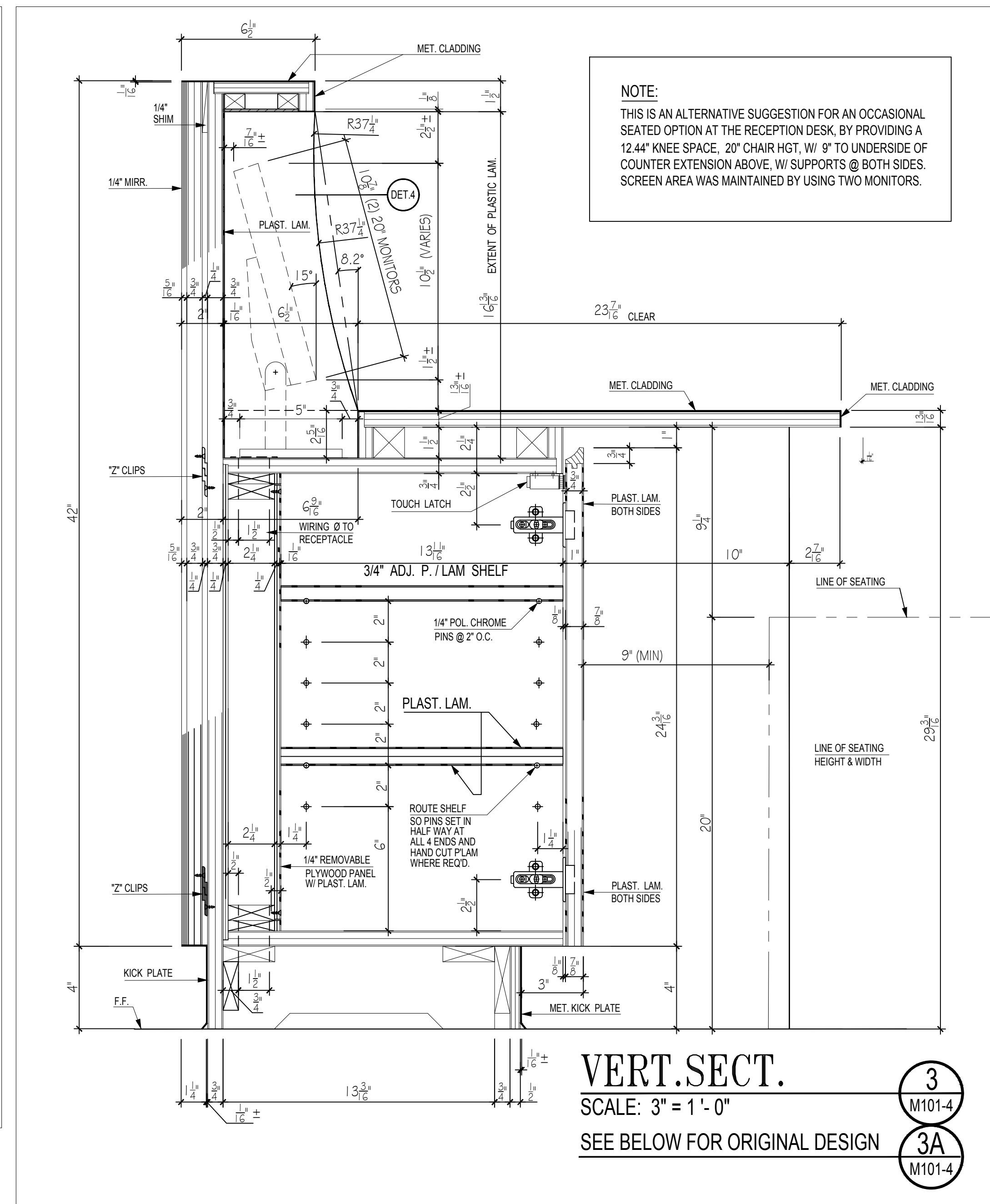
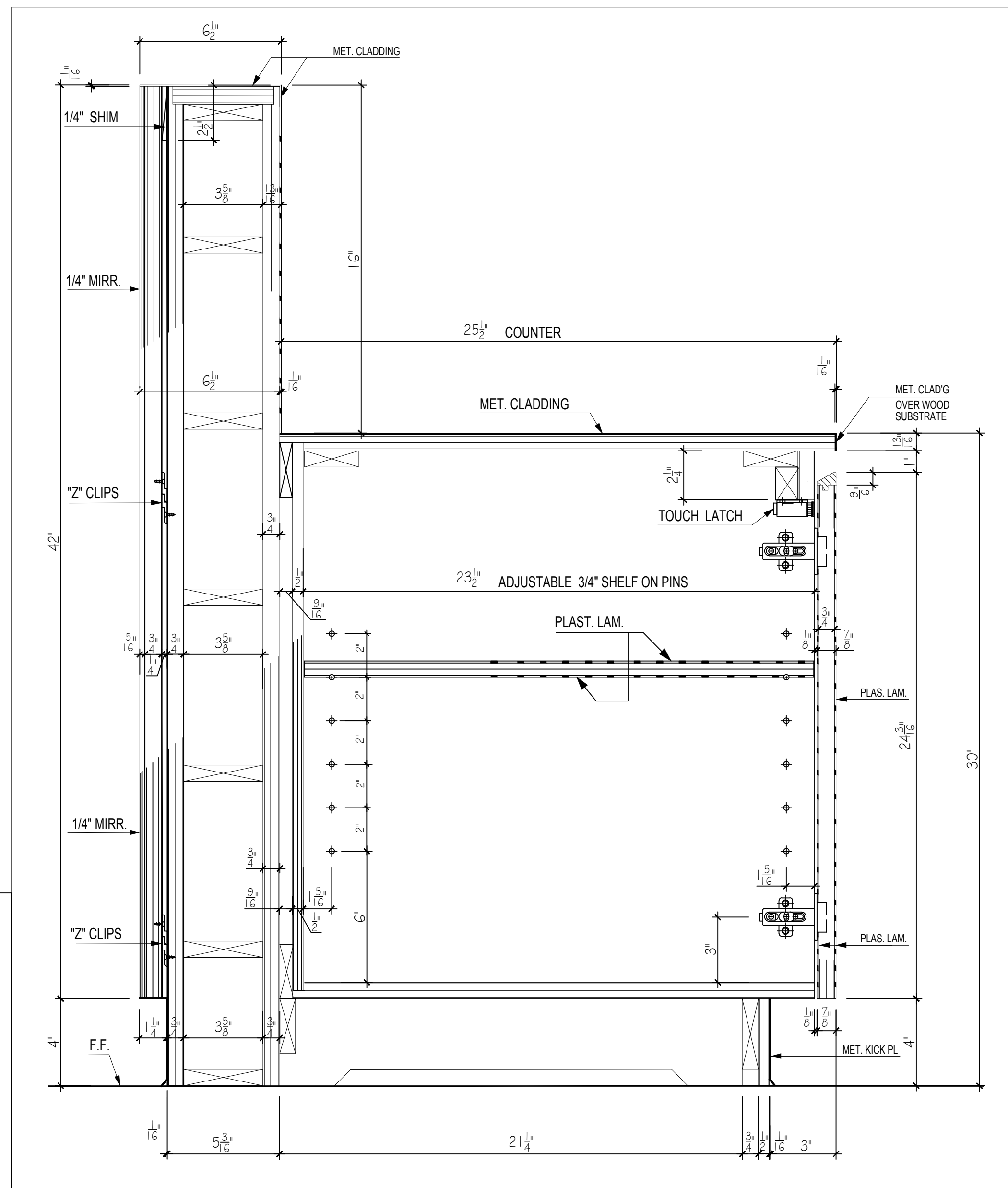
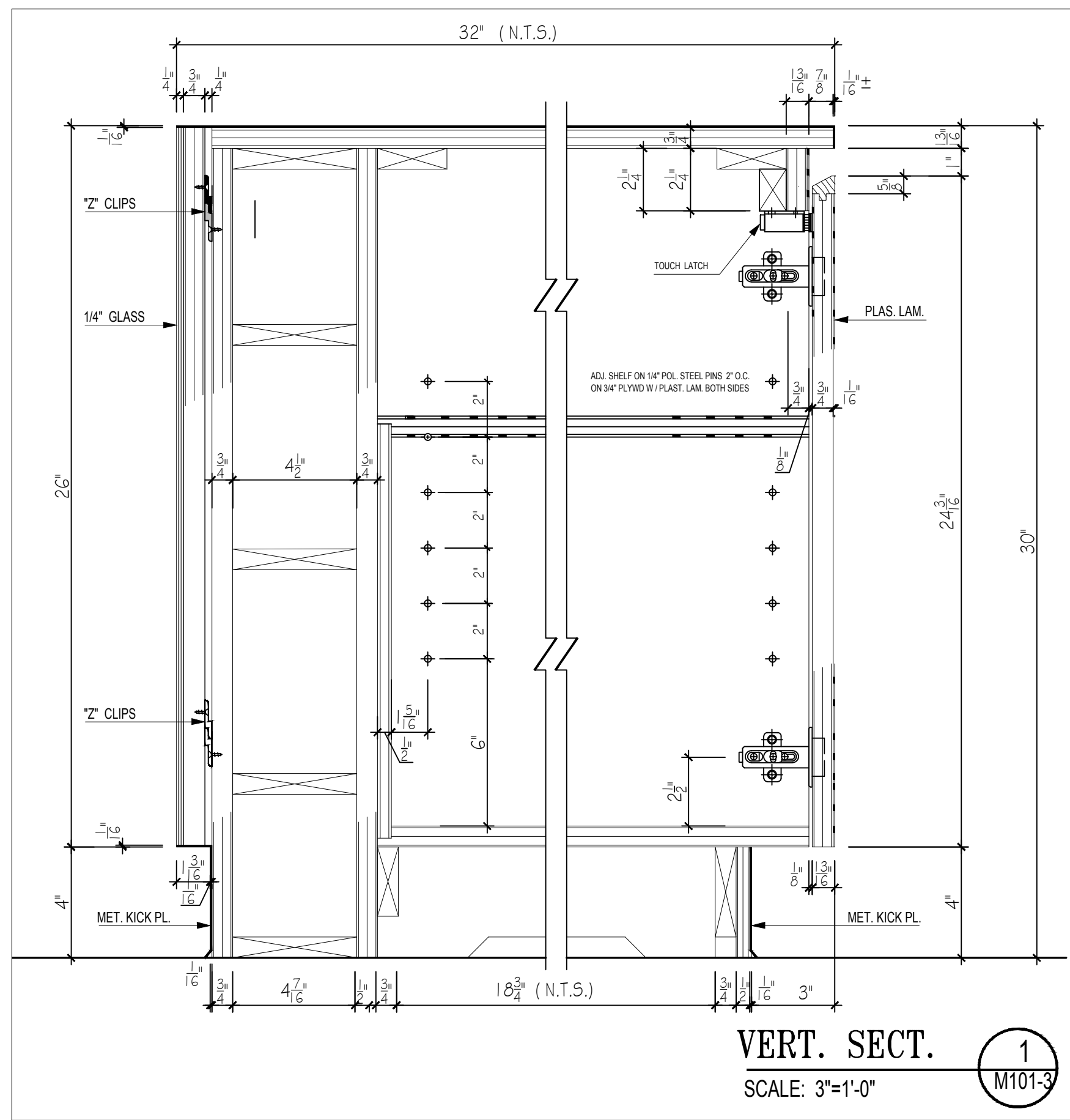
PLAN DETAIL D3
SCALE: HALF FULL-SIZE
M101-1

REVISION DATE	
FOR RECORD	08/20/21
FOR APPROVAL	08/16/21

PROJECT: 1803
37-11 30th STREET
QUEENS, NY 11101

OWNER:
30th STREET HOLDINGS LLC
38 EAST 29th STREET
NEW YORK, NY 10016

COMPANY LOGO:	
Date:	08.30.21
Scale:	AS NOTED
Drawn:	J.F.
Area @ LOBBY 400-1/400-1A RECEPTION DESK AREA	
Sheet	
M101-1	



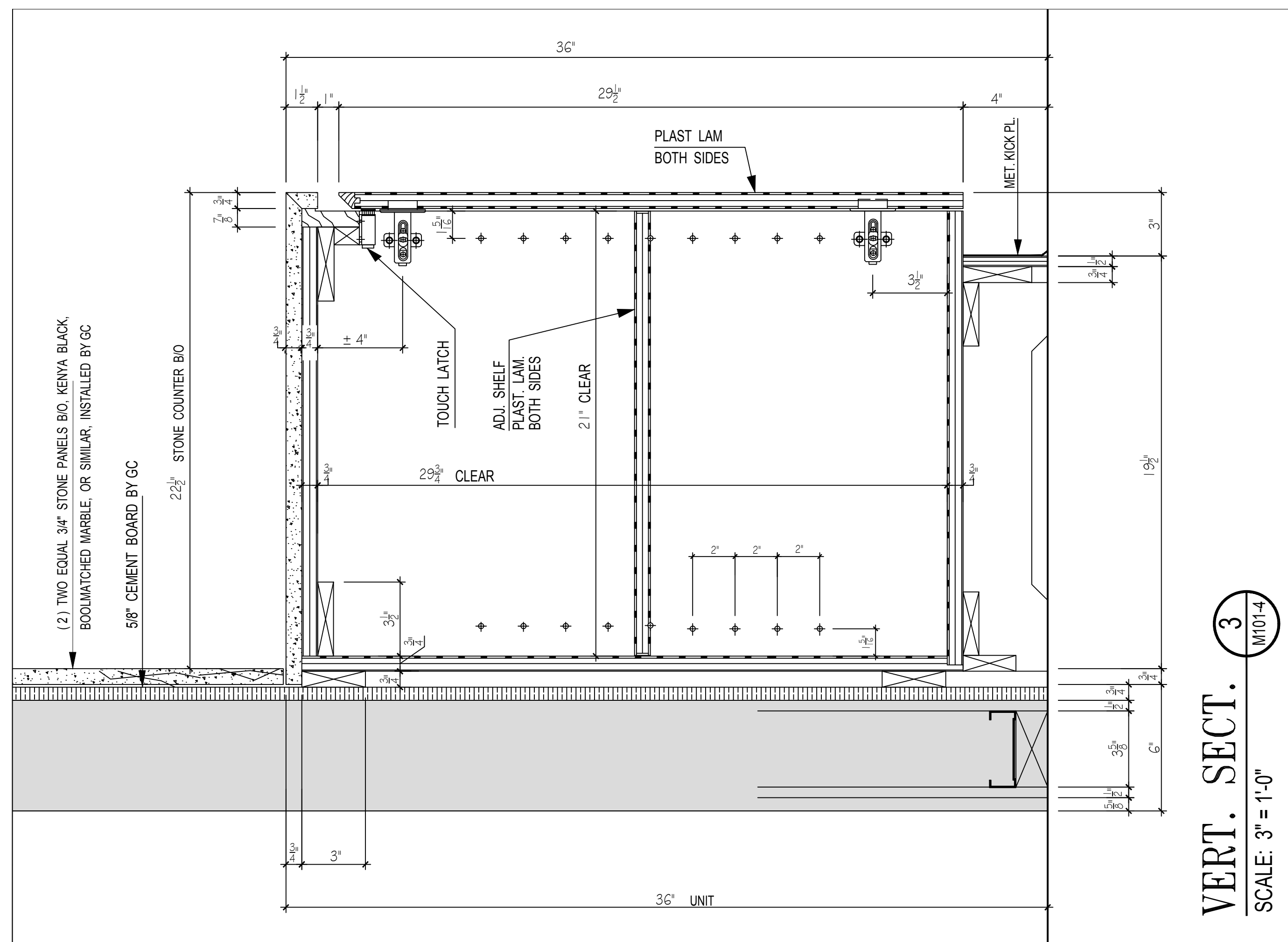
REVISION DATE	
FOR RECORD	08.30.21
FOR RECORD	08.14.21
FOR APPROVAL	08.16.21

PROJECT: 1803
37-11 30th STREET
QUEENS, NY 11101

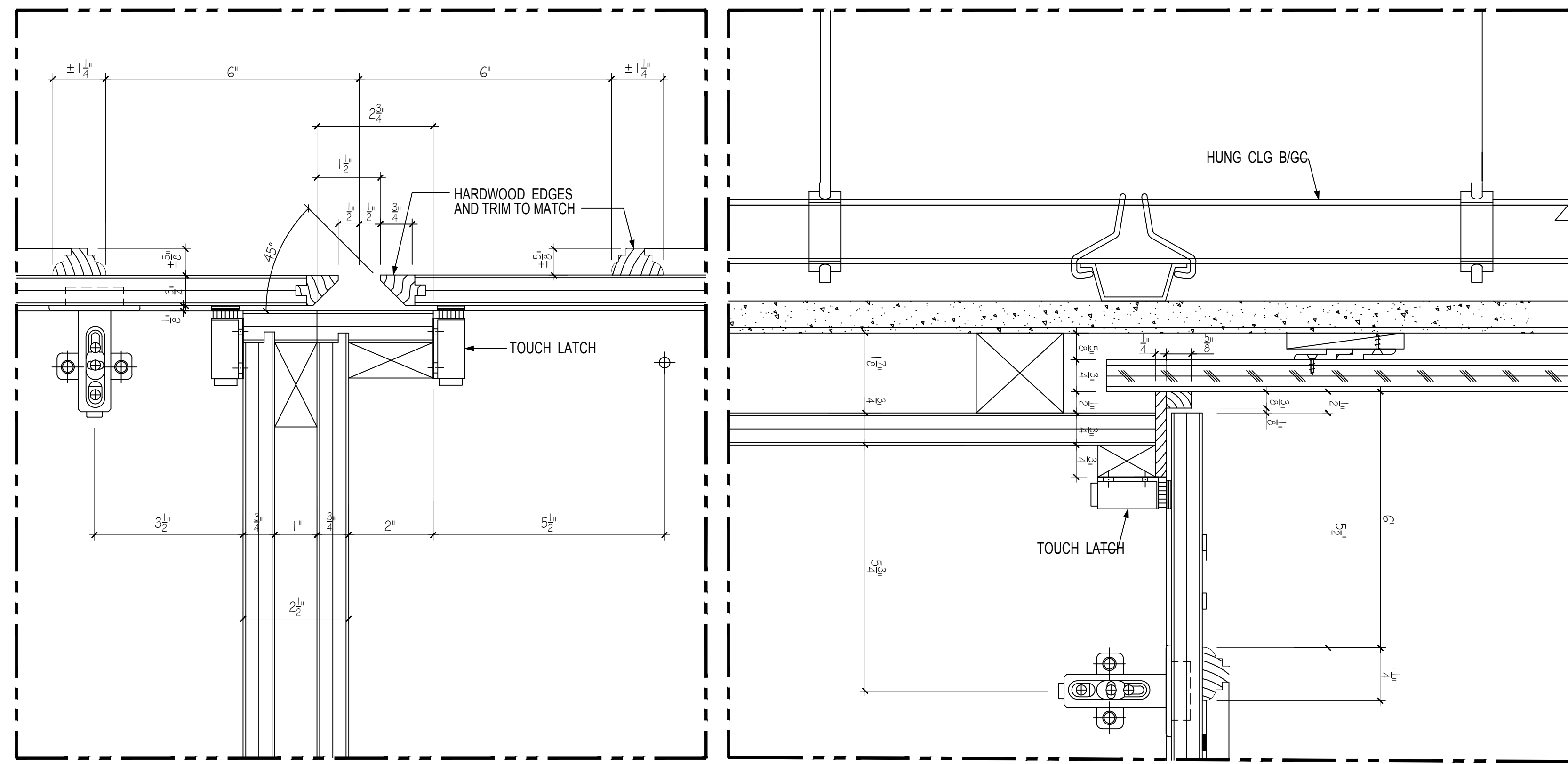
OWNER:
30th STREET HOLDINGS LLC
38 EAST 28th STREET
NEW YORK, NY 10016

COMPANY LOGO:

Date	08.30.21
Scale	AS NOTED
Drawn	J.F.
Area	@ LOBBY 400-1/400-14 RECEPTION DESK AREA
Sheet	M101-2

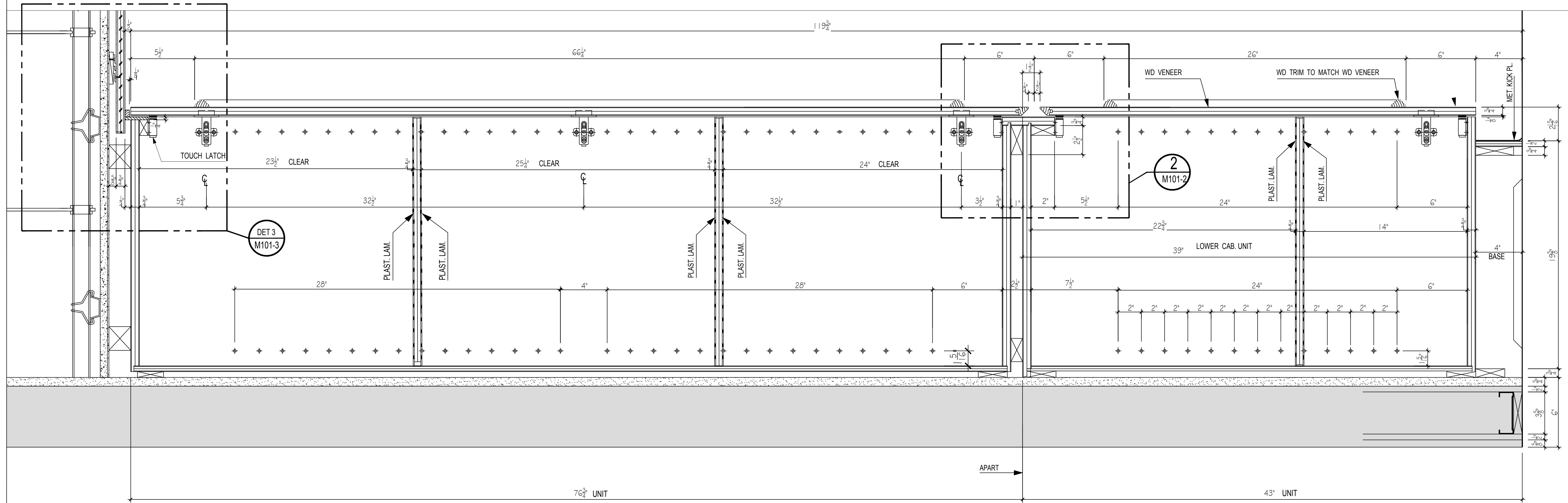


VERT. SECT. **3**
SCALE: 3" = 1'-0"
M101-4



VERT. SECT. DETAIL **2**
SCALE: HALF FULL-SIZE
M101-3

VERT. SECT. DETAIL **3** (horizontally oriented)
SCALE: HALF FULL-SIZE
M101-3



VERT. SECTION **4**
SCALE: 3" = 1'-0"
M101-4

REVISION DATE	
FOR RECORD	05.14.21
FOR APPROVAL	05.18.21

PROJECT: 1803
37-11 30th STREET
QUEENS, NY 11101

OWNER:
30th STREET HOLDINGS LLC
38 EAST 28th STREET
NEW YORK, NY 10016

COMPANY LOGO:

Date: 09.09.21
Scale: AS NOTED
Drawn: J.F.
Area @ LOBBY 400-1/400-1A
RECEPTION DESK AREA
Sheet

M101-3