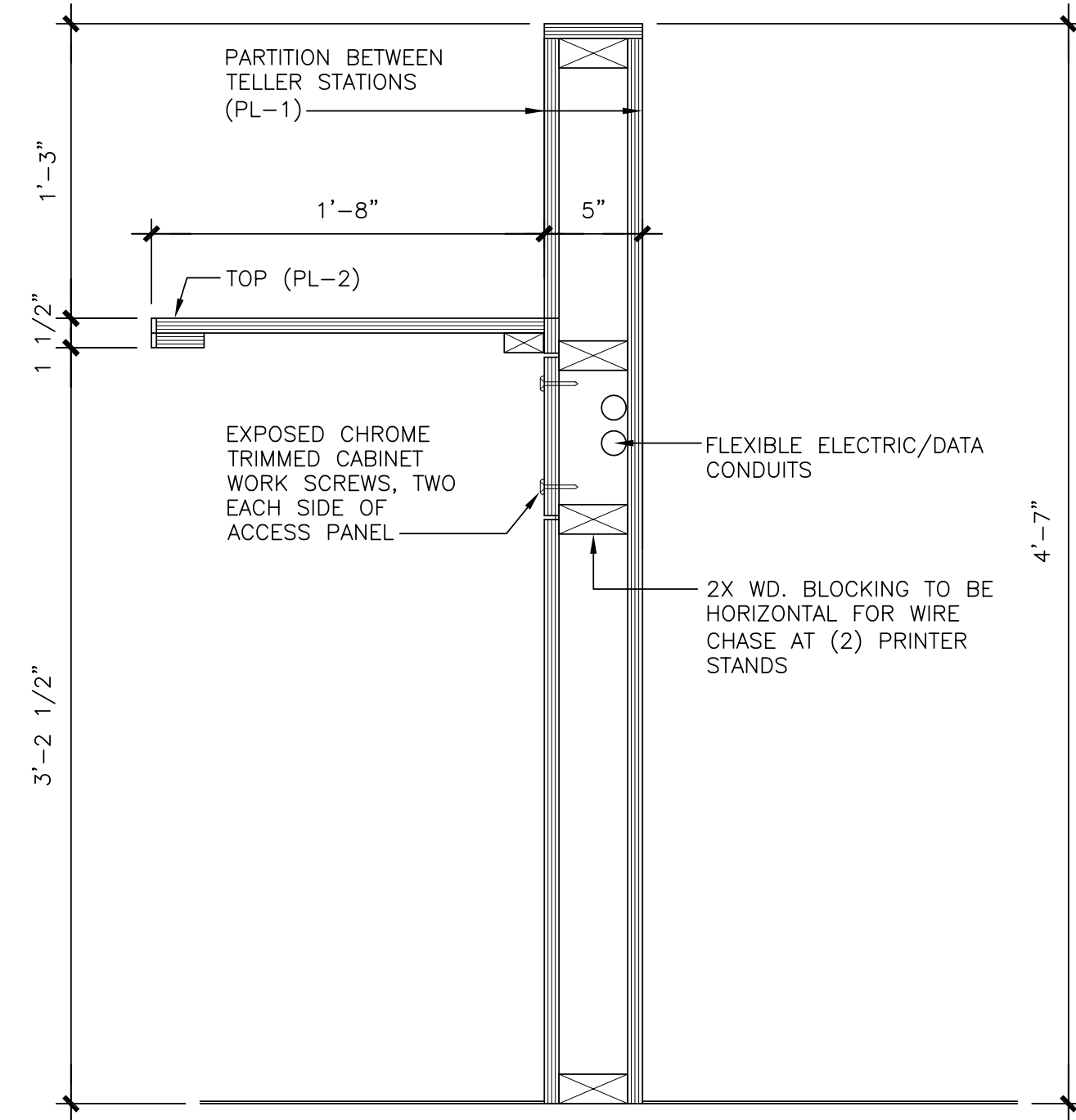
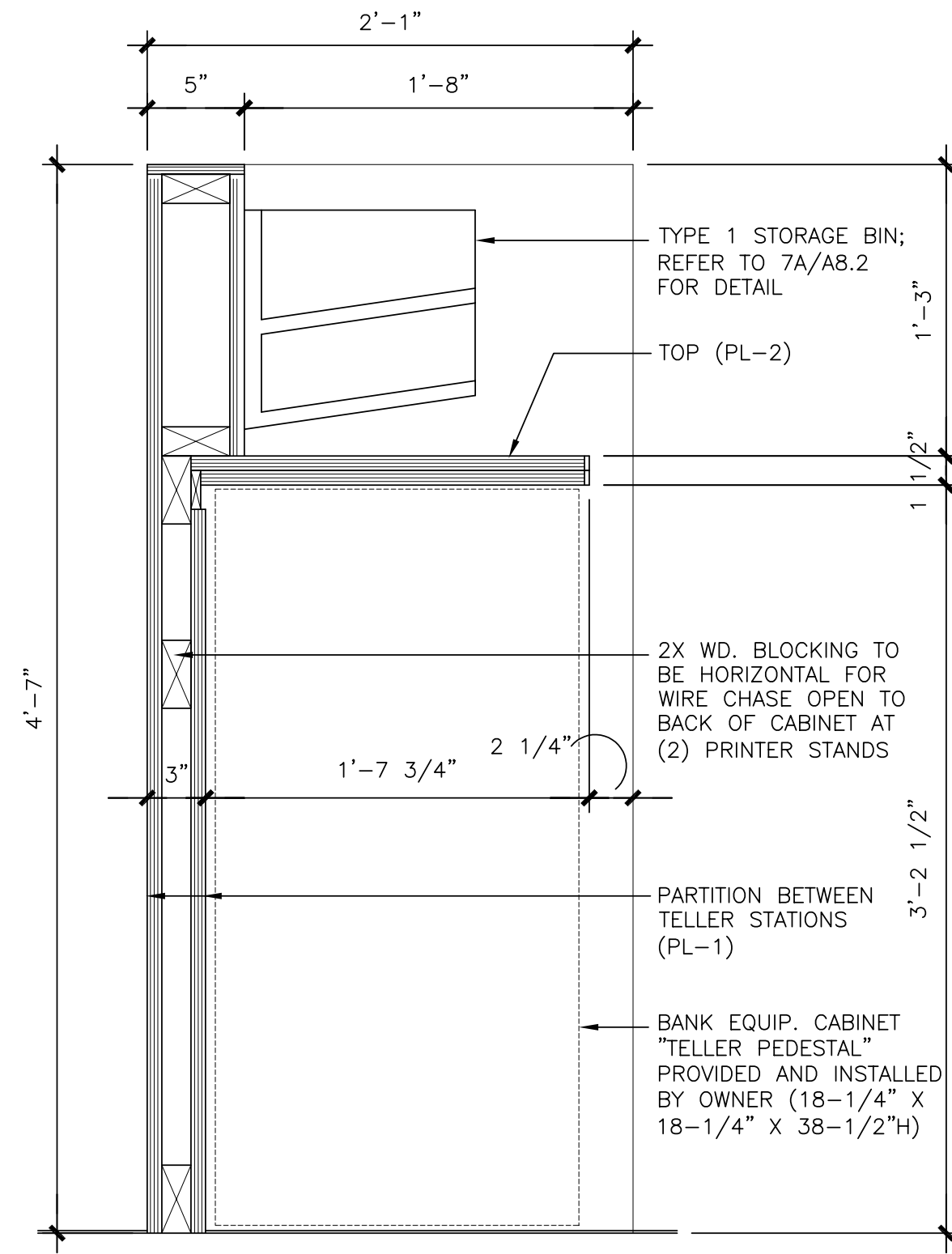


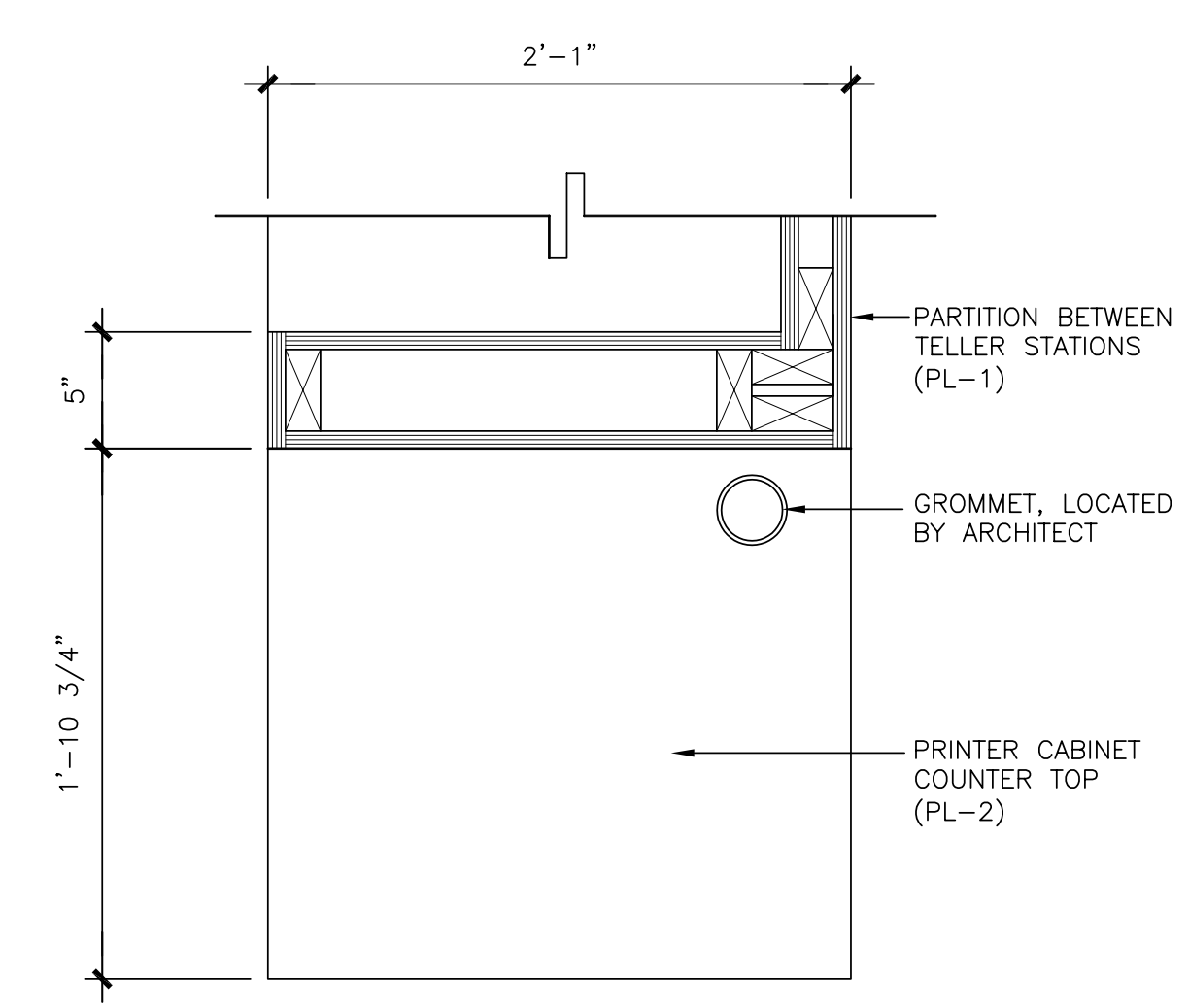
1 PRINTER CABINET SECTION  
AB.2 SCALE: 1-1/2" = 1'-0"



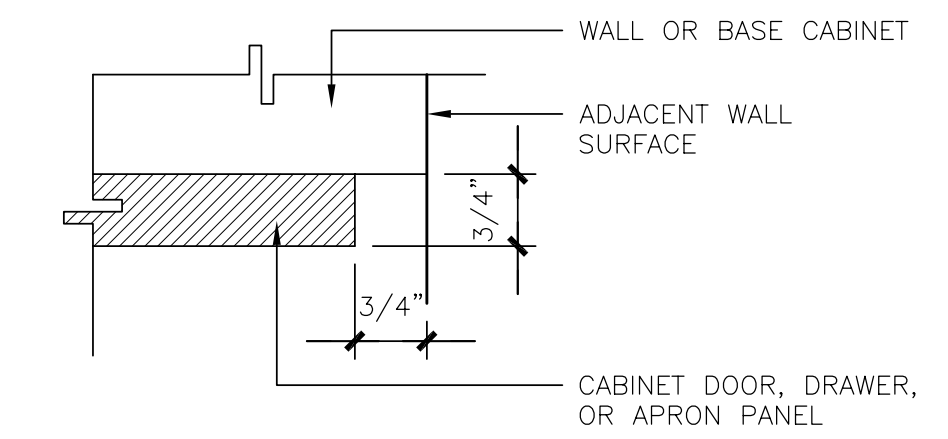
2 SECTION  
AB.2 SCALE: 1-1/2" = 1'-0"



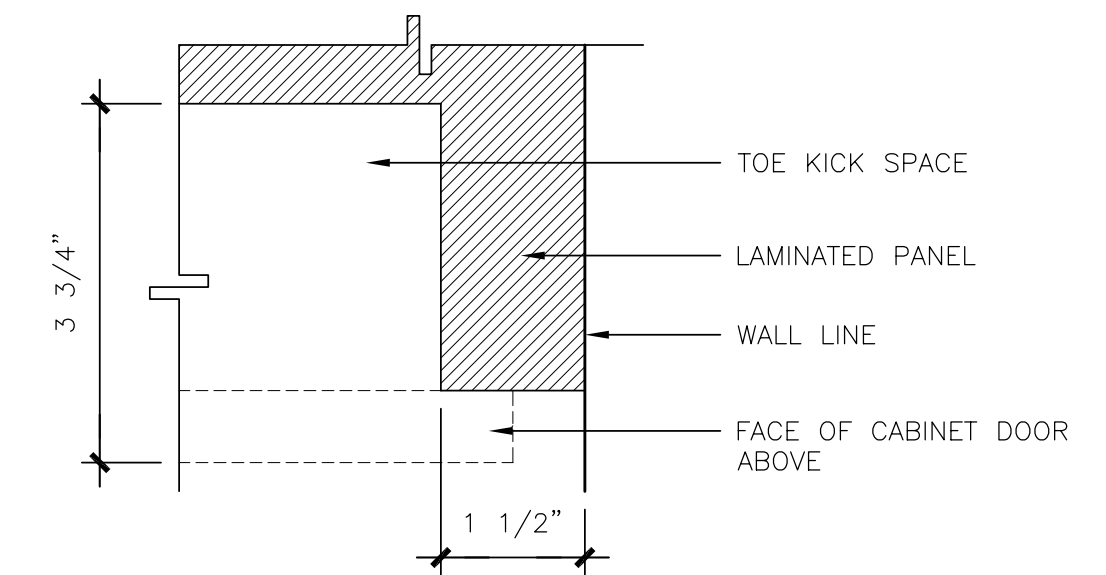
4 SECTION AT TELLER STATION UNDERCOUNTER BANK EQUIPMENT  
AB.2 SCALE: 1-1/2" = 1'-0"



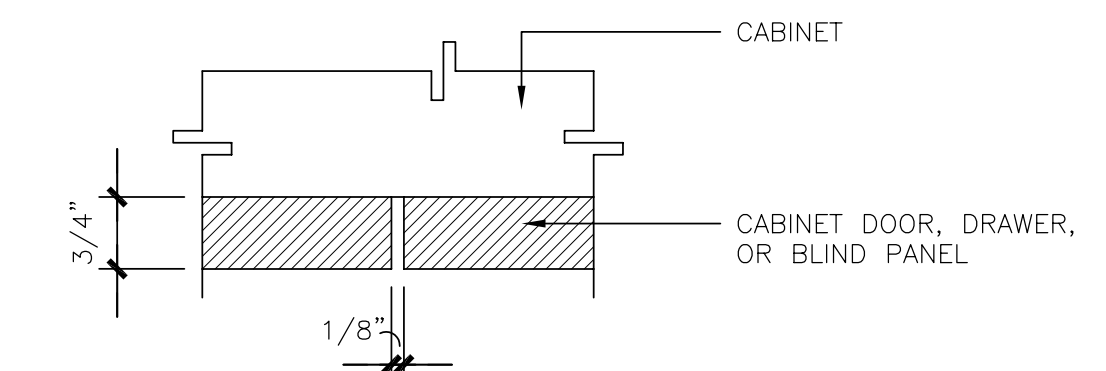
9 PRINTER CABINET PLAN  
AB.2 SCALE: 1-1/2" = 1'-0"



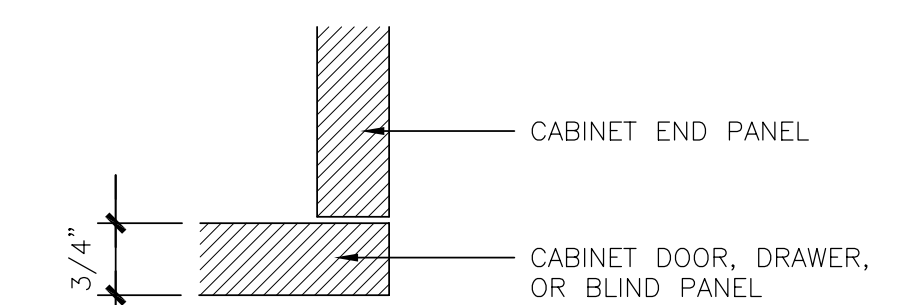
9 CABINET/WALL PROFILE PLAN  
AB.2 SCALE: 6" = 1'-0"



10 PROFILE PLAN DETAIL BASE CAB KICK SPACE AT ADJACENT WALL  
AB.2 SCALE: 6" = 1'-0"

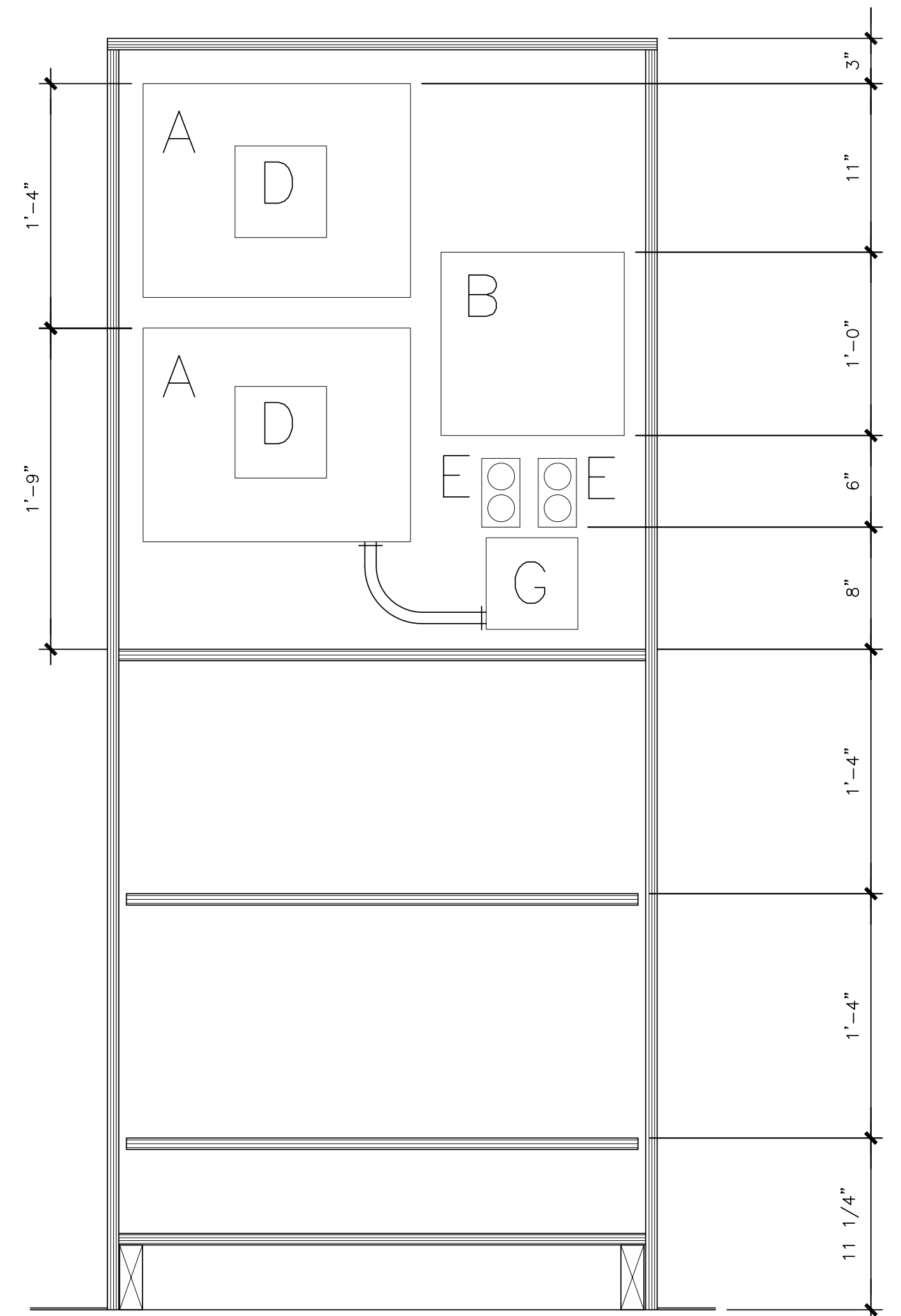


11 ADJACENT DOOR REVEAL DETAIL  
AB.2 SCALE: 6" = 1'-0"

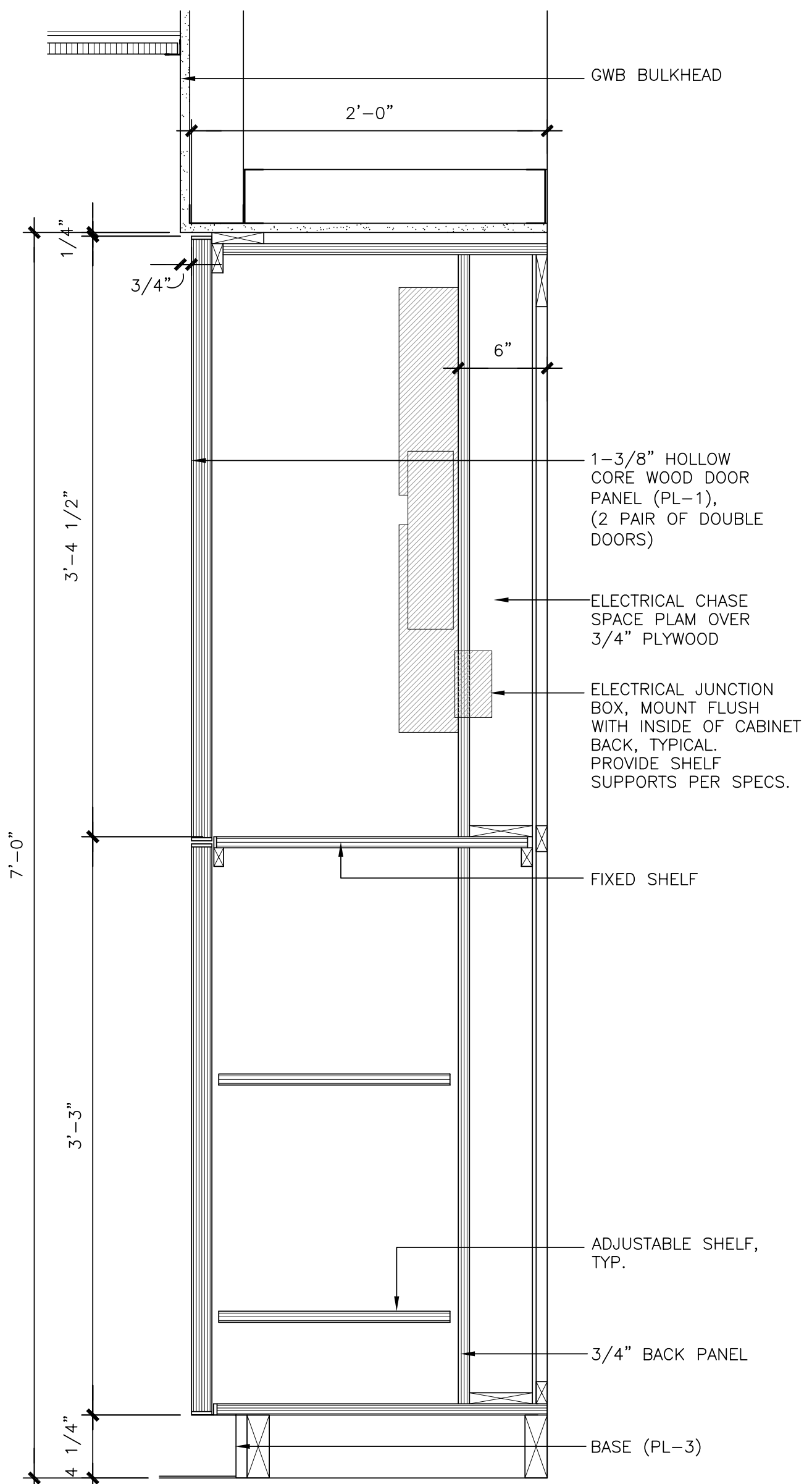


12 DOOR TERMINATION DETAIL AT CABINET END  
AB.2 SCALE: 6" = 1'-0"

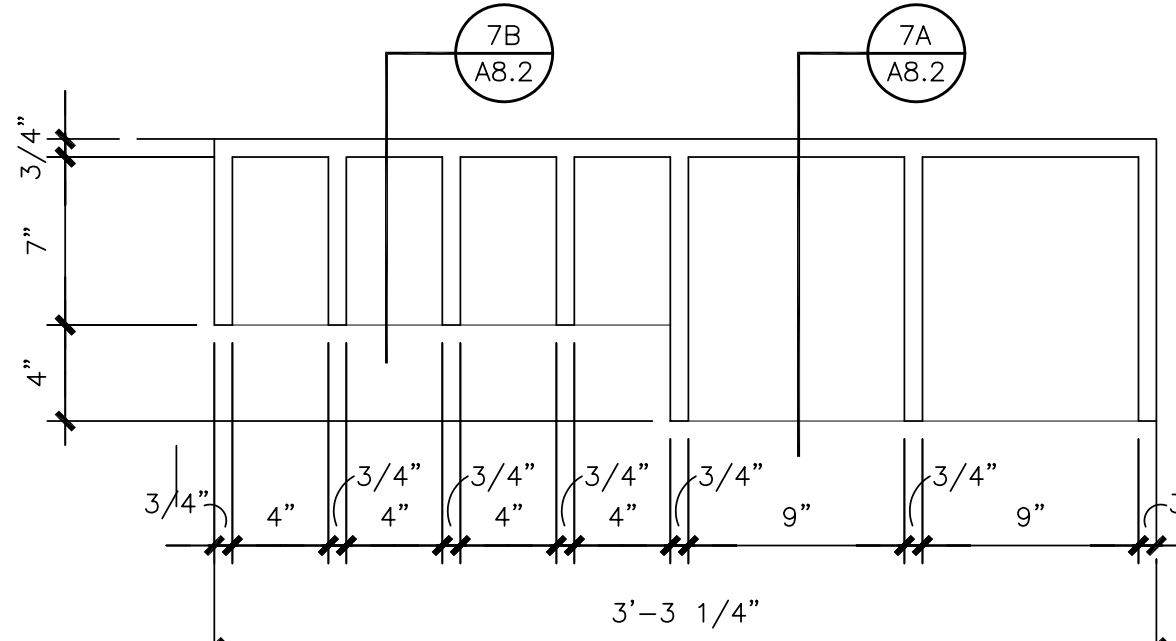
SECURITY CABINET EQUIPMENT LEGEND	
A	SECURITY ALARM CONTROL PANEL 17.5"W X 13.5"H SURFACE WALL MOUNTED
B	CELLULAR UNIT 12" X 12" SURFACE WALL MOUNTED
D	6" X 6" X 6" JUNCTION BOX RECESSED IN CABINET BACK
E	DUPLEX RECEPTACLE



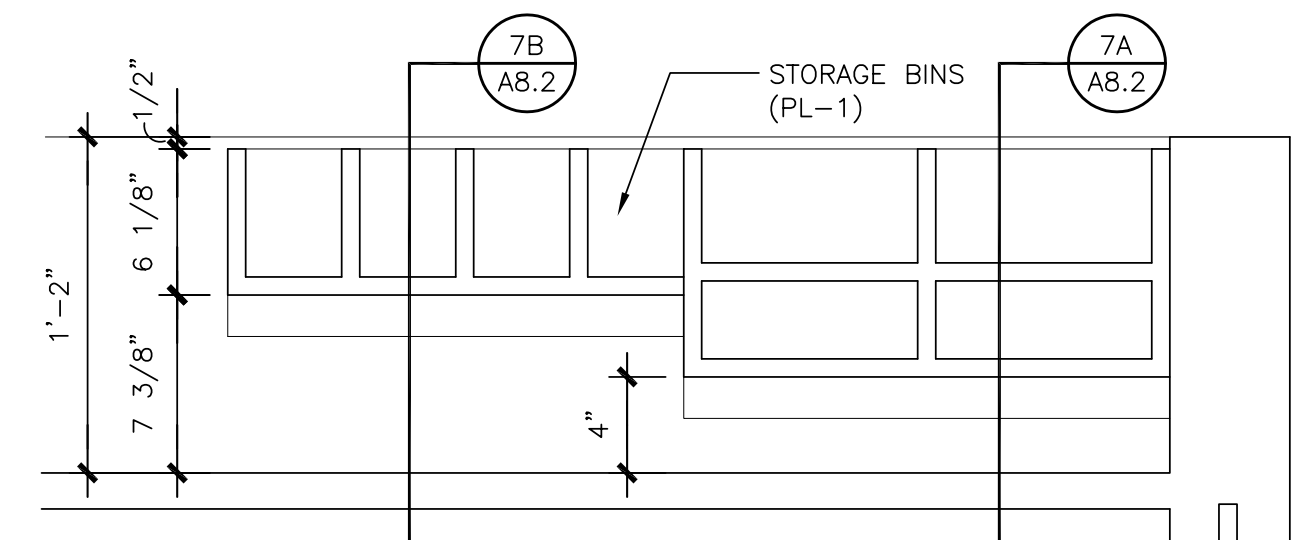
3 CASH ROOM SECURITY CABINET  
AB.2 SCALE: 1-1/2" = 1'-0"



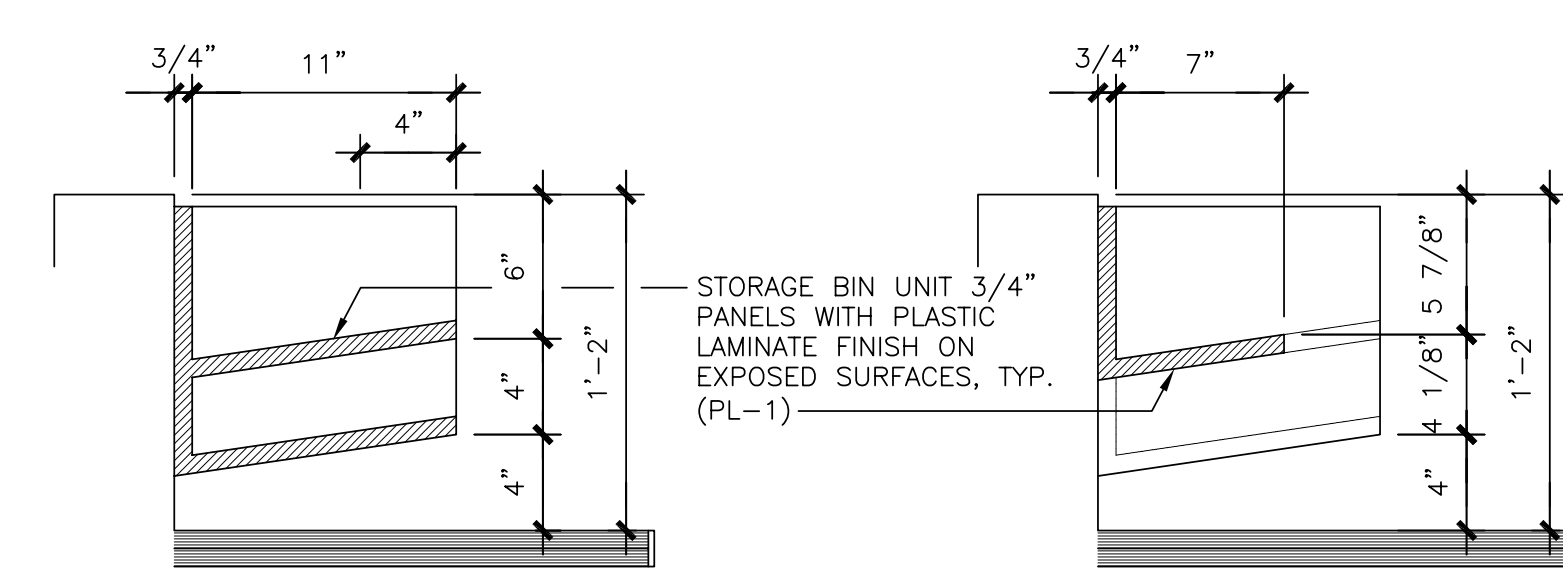
7A TYPE 1 STORAGE BIN SECTION  
AB.2 SCALE: 1-1/2" = 1'-0"



5 TYPE 1 AND 2 STORAGE BIN PLAN  
AB.2 SCALE: 1-1/2" = 1'-0"



6 TYPE 1 AND 2 STORAGE BIN ELEVATION  
AB.2 SCALE: 1-1/2" = 1'-0"



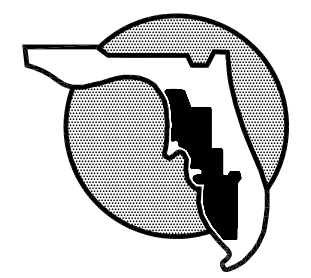
7B TYPE 2 STORAGE BIN SECTION  
AB.2 SCALE: 1-1/2" = 1'-0"

ARCHITECT  
HOLMES HEPPNER & ASSOCIATES ARCHITECTS  
109 NORTH BRUSH STREET, SUITE 100  
TAMPA, FLORIDA 33602  
813-229-0814  
REG. NO. AA 0002617

CIVIL ENGINEER AND LANDSCAPE  
TOM CONSULTING, INC.  
8695 COLLEGE PARKWAY, SUITE 106  
FORT MYERS, FLORIDA 33919  
239-433-4231  
REG. NO. P03000072119

STRUCTURAL ENGINEER  
CANTALANO ENGINEERING, INC.  
120 SOUTH EDSON AVE.  
TAMPA, FLORIDA 33606  
813-254-1255  
REG. NO. 6828

MECHANICAL, ELECTRICAL, & PLUMBING ENGINEER  
ANSTON-GREENLEES, INC.  
1315 WEST FLETCHER AVE.  
TAMPA, FLORIDA 33612  
813-963-1919  
REG. NO. 6993



SUNCOAST  
SCHOOLS  
FEDERAL  
CREDIT UNION

CAPE CORAL  
MEMBER SERVICE CENTER

PROJECT NO.	2856
DISTRIBUTION DATE	
CONSTRUCTION DOCUMENTS	07/11/2007

CABINET  
SECTIONS AND  
DETAILS

A8.2