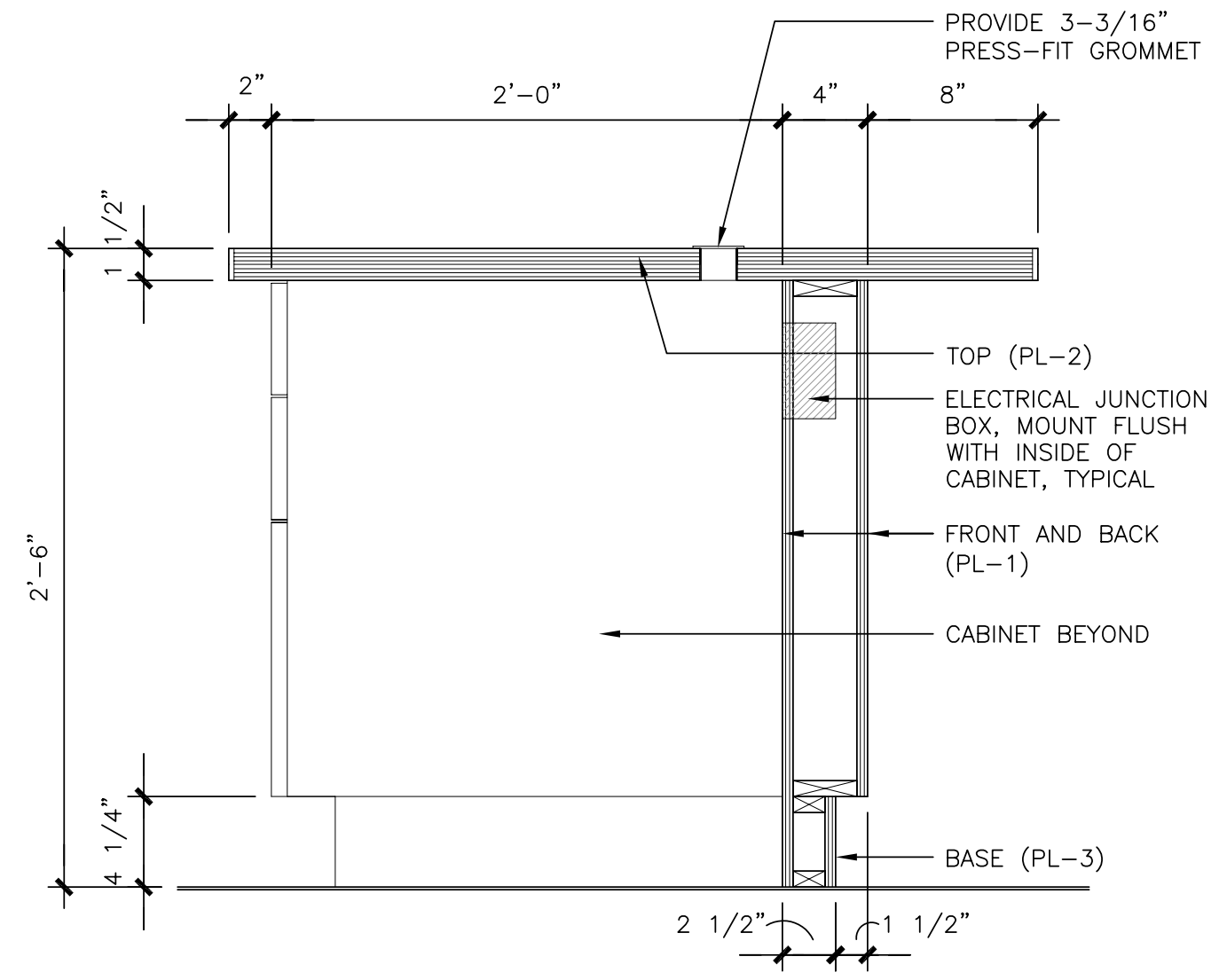
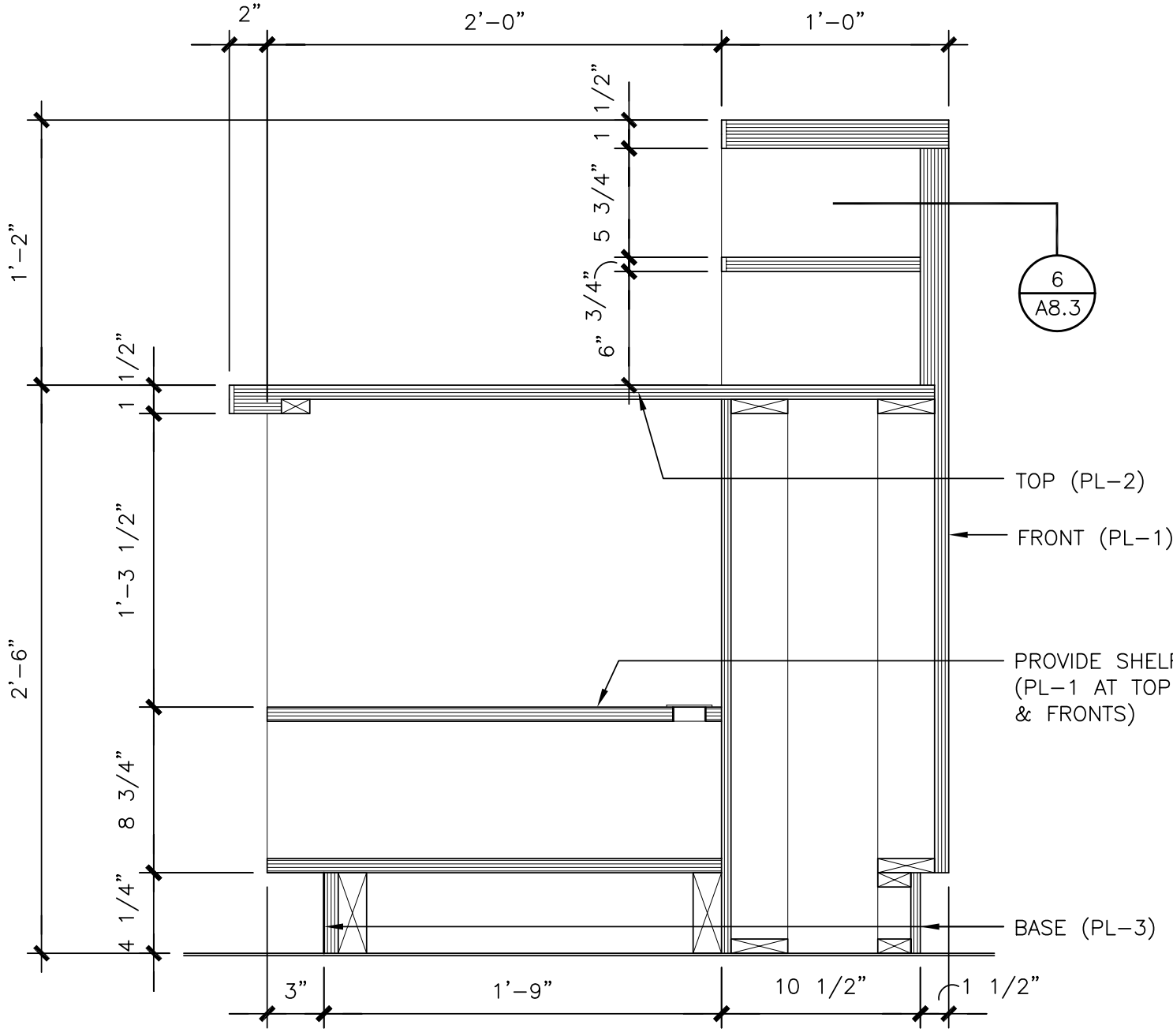


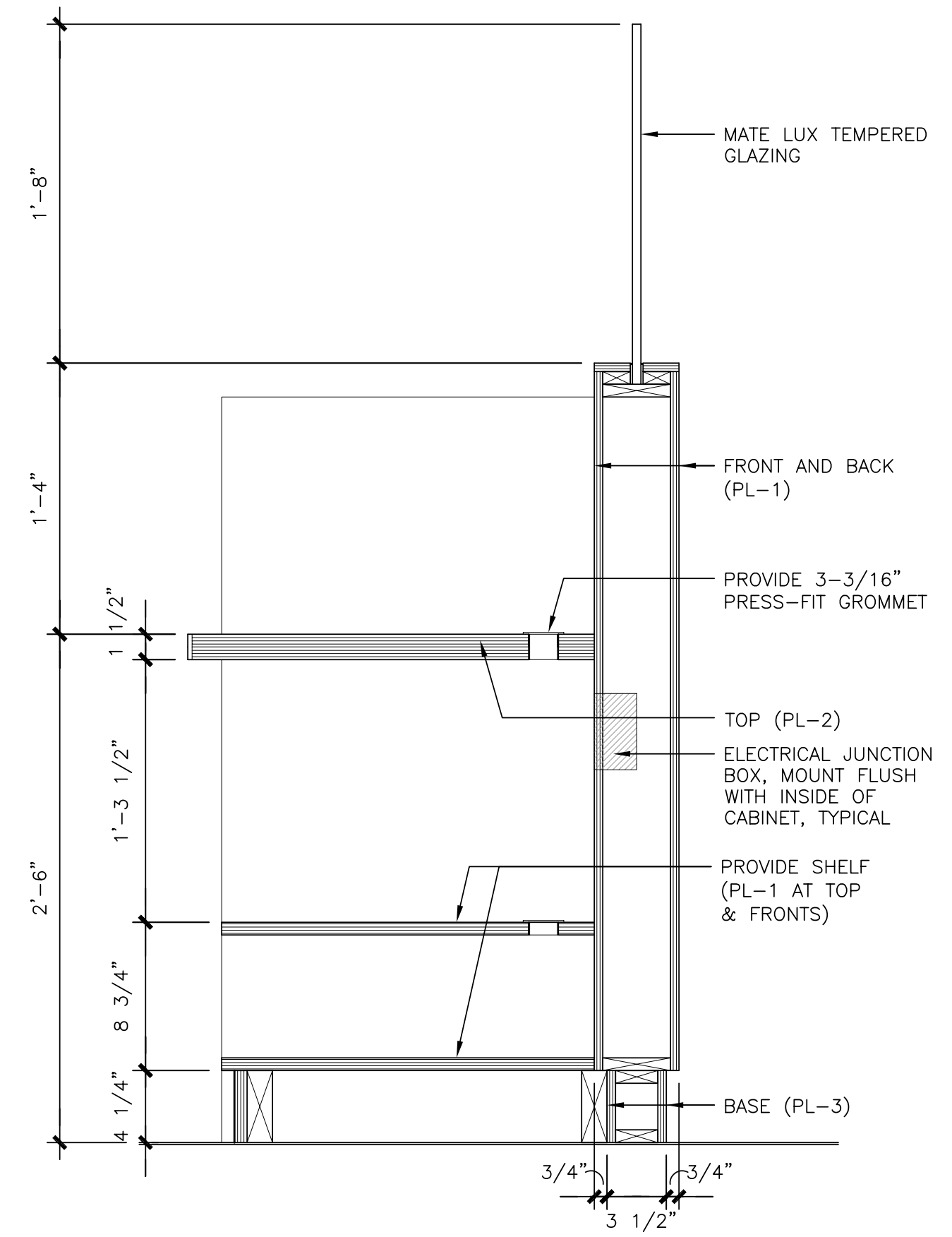
1 CABINET SECTION
 A8.3 SCALE: 1-1/2"=1'-0"



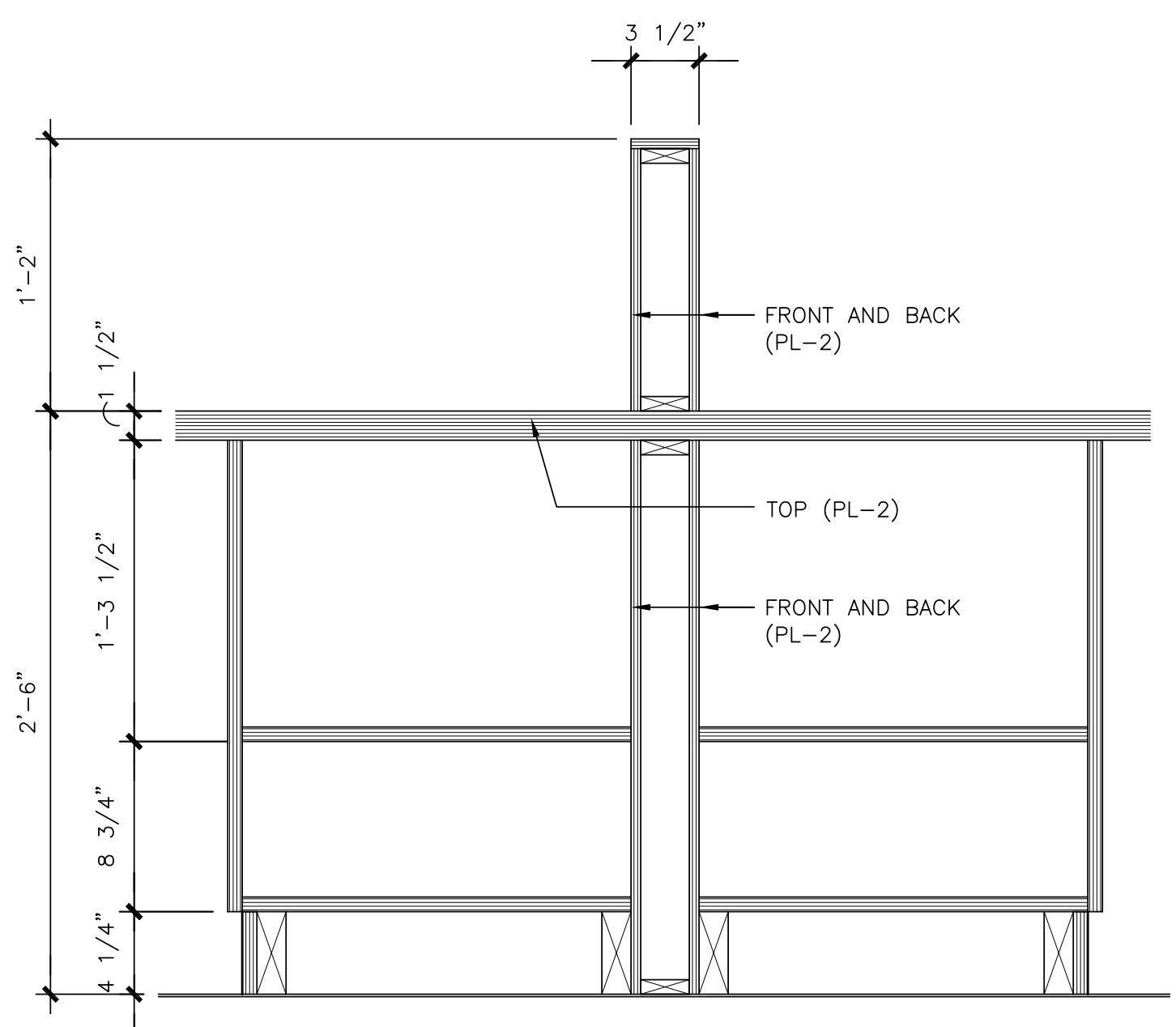
2 SECTION
 A8.3 SCALE: 1-1/2"=1'-0"



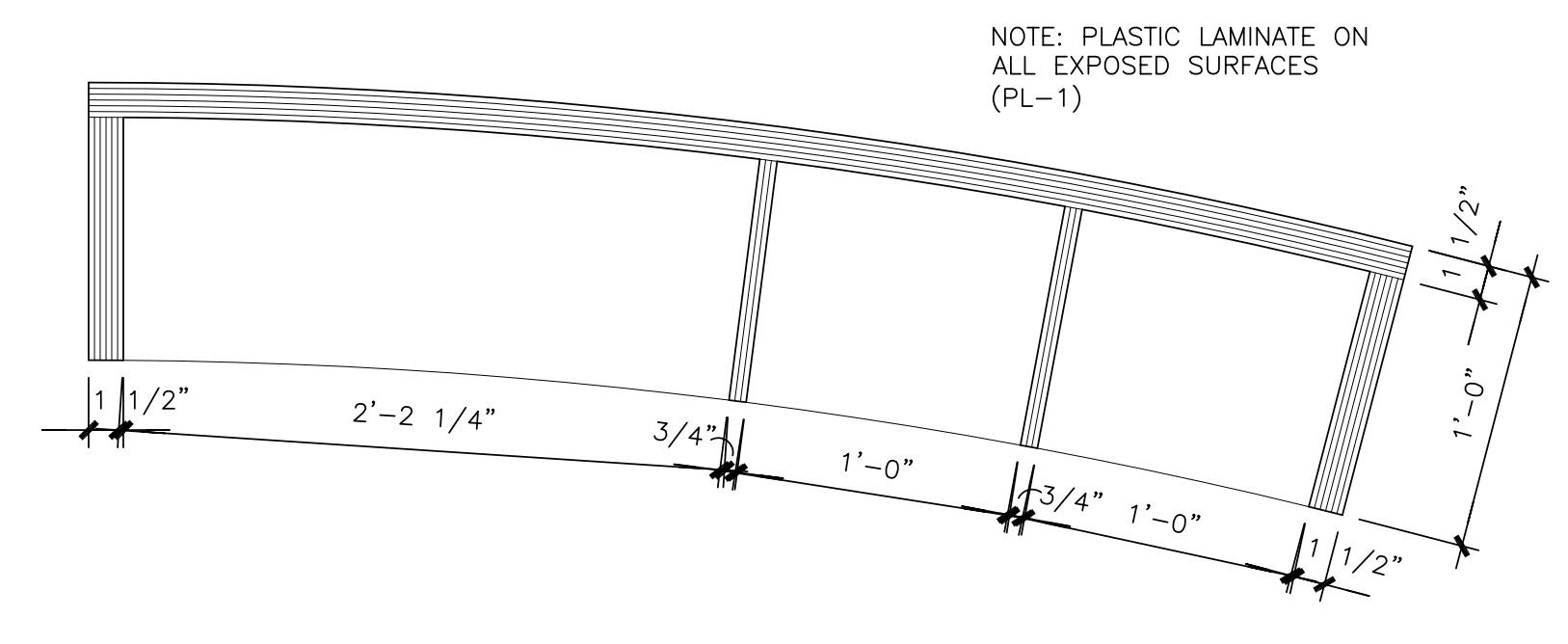
3 CABINET AND SHELF
 A8.3 SCALE: 1-1/2"=1'-0"



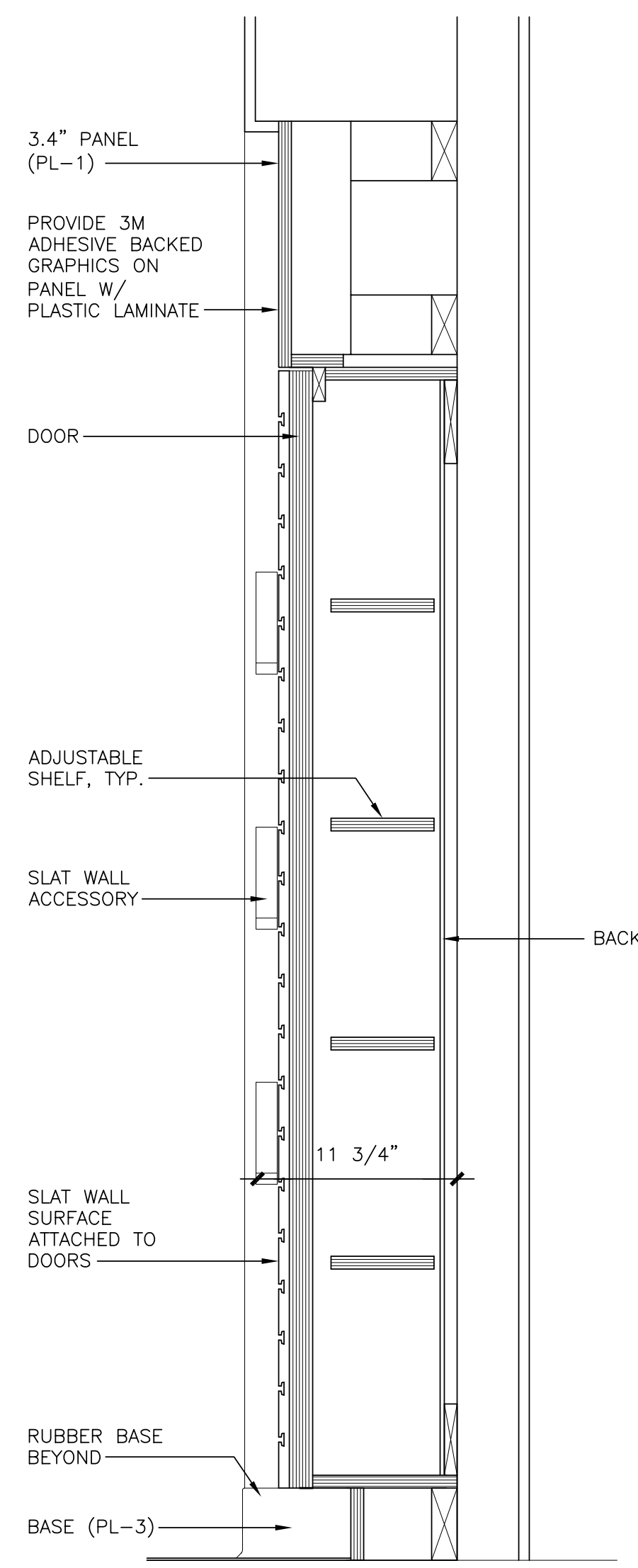
4 SECTION
 A8.3 SCALE: 1-1/2"=1'-0"



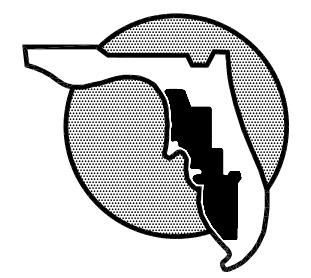
5 SECTION
 A8.3 SCALE: 1-1/2"=1'-0"



6 SHELVING PLAN
 A8.3 SCALE: 1-1/2"=1'-0"



7 SECTION
 A8.3 SCALE: 1-1/2"=1'-0"



SUNCOAST
 SCHOOLS
 FEDERAL
 CREDIT UNION

CAPE CORAL
 MEMBER SERVICE CENTER

PROJECT NO. 2856
 DISTRIBUTION DATE
 CONSTRUCTION DOCUMENTS 07/11/2007

CABINET
 SECTIONS AND
 DETAILS

A8.3